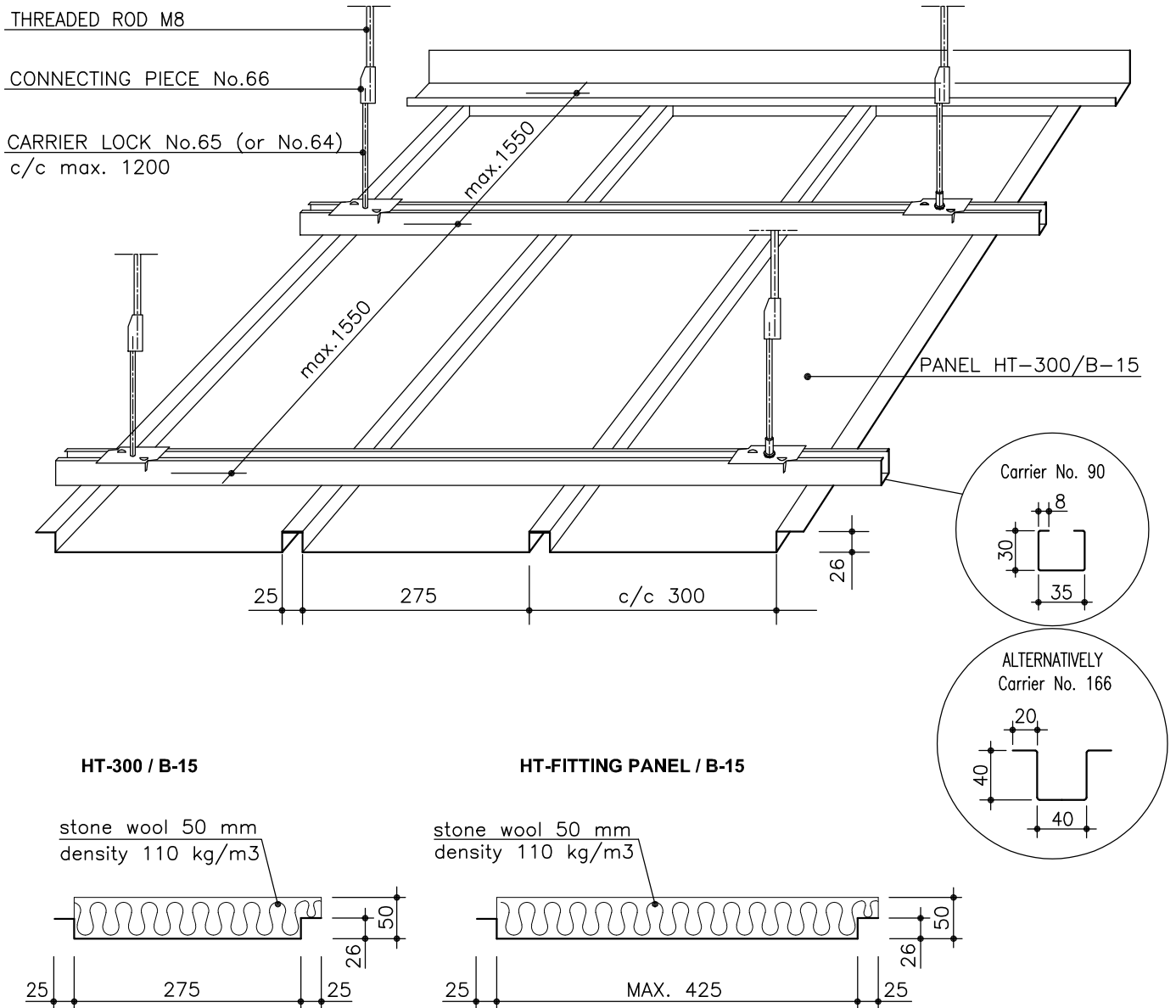


MARINE PANEL LAUTEX HT-300 / B-15 / A-30 DECK

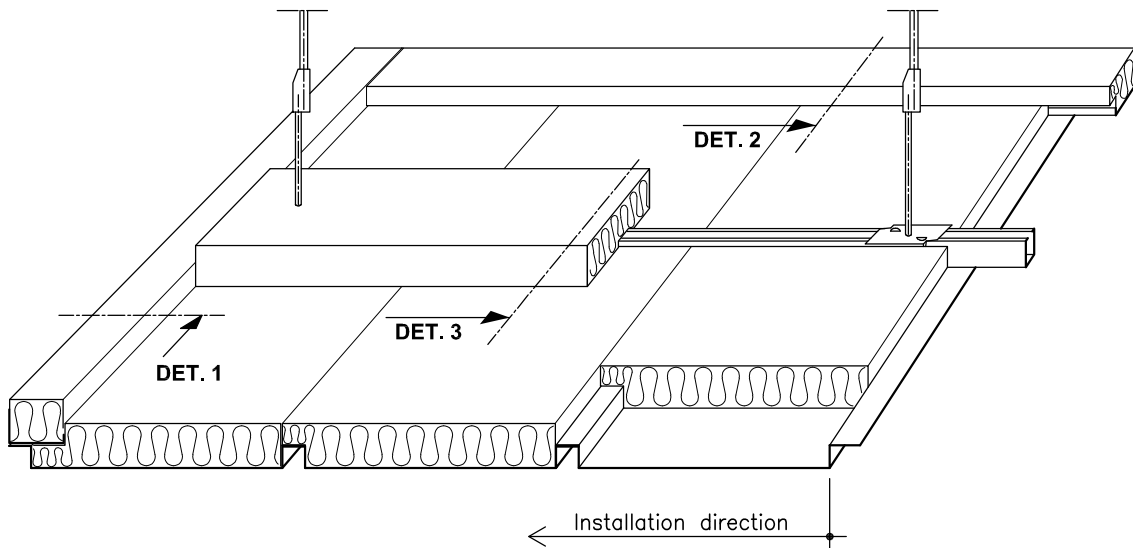


HT-300 PANELS / CLASSIFICATION "B-15"

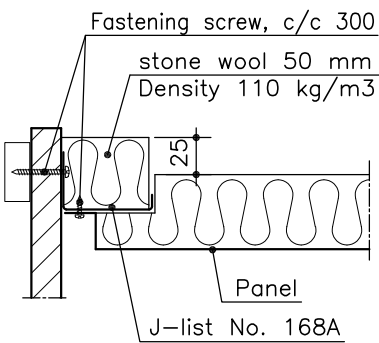
Material	0.6 mm steel
Width	200 mm, 300 mm, fittings max. 450 mm
Height	26 mm (50 mm with insulation)
Length	max 6500 mm, fittings max 4000 mm
Insulation	stone wool, density 110 kg/m ³ , s=50 mm
Finish	NCS S or RAL color
Protective film	standard
End bendings	standard
Extra stone wool	density 110 kg/m ³
Other solutions	please contact Lautex sales



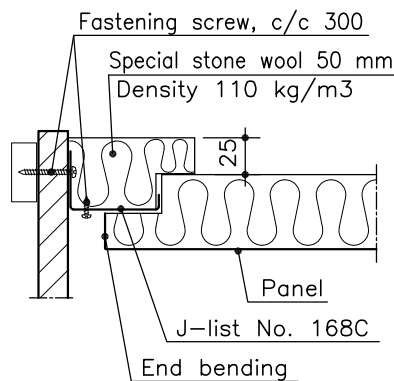
MARINE PANEL LAUTEX HT-300 / B-15 / A-30 DECK



DET. 1

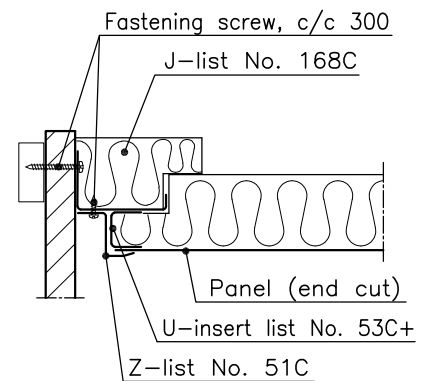


DET. 2 (ALT. 1)

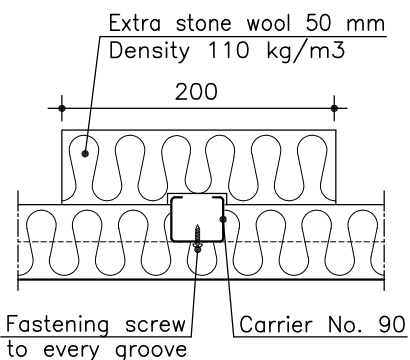


DET. 2 (ALT. 2)

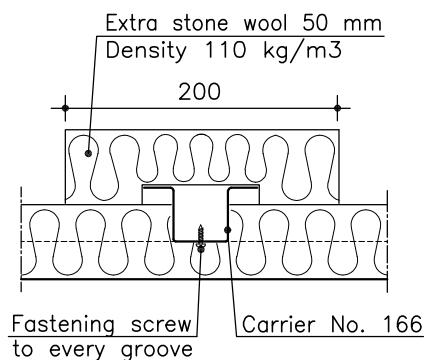
Panels cut: with Z- and U-insert



DET. 3 (ALT.1)

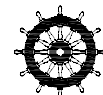
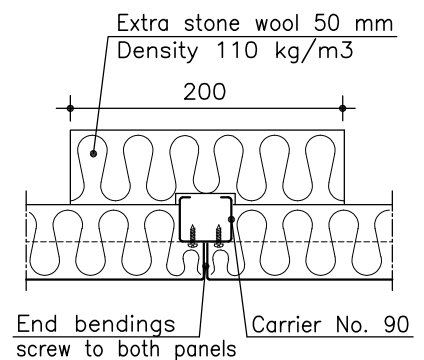


DET. 3 (ALT.2)



DET. 3

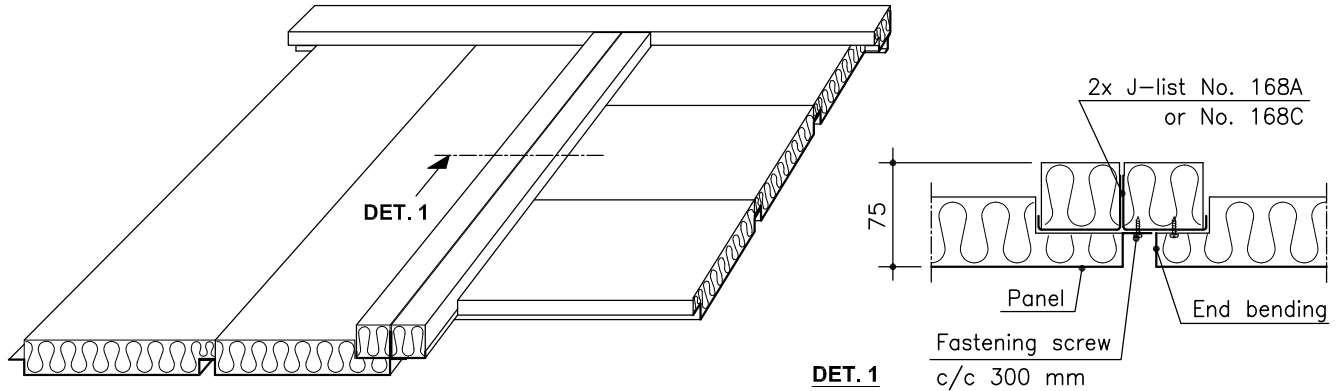
Panel joint



MARINE PANEL LAUTEX HT-300 / B-15 / A-30 DECK

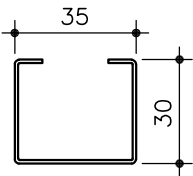
CHANGING THE INSTALLATION DIRECTION

Corridor junction, recess at cabin door

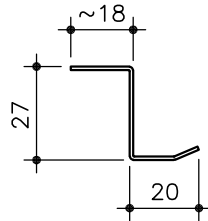


ACCESSORIES

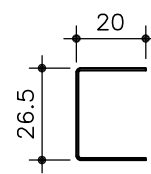
No. 90. CARRIER
1.0 Fe



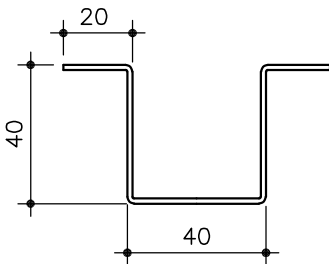
No. 51c. Z-LIST
1.0 Fe



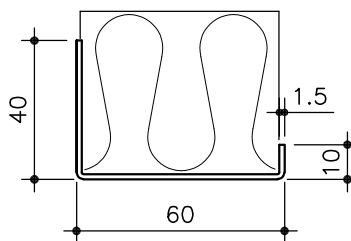
No. 53C+ U-INSERT LIST
0.6 Fe



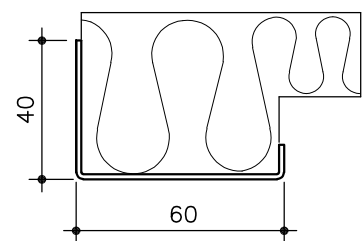
No. 166. CARRIER
1.5 Fe



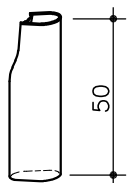
No. 168A J-LIST
1.5 Fe, stone wool 50 mm
Density 110 kg/m³



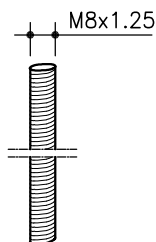
No. 168C J-LIST
1.5 Fe, special stone wool 50 mm
Density 110 kg/m³



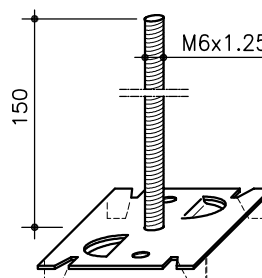
No. 66 CONNECTING PIECE



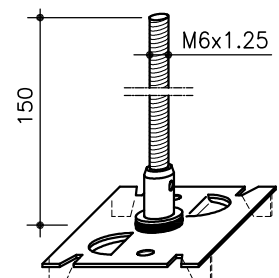
No. 70 THREADED ROD M8



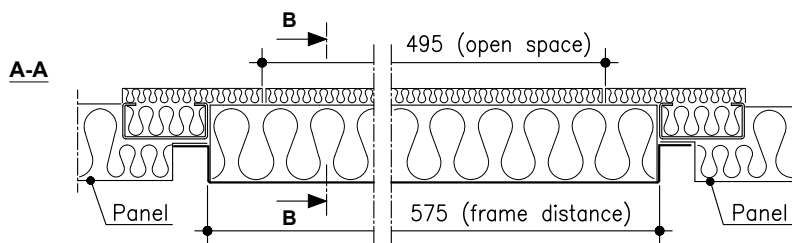
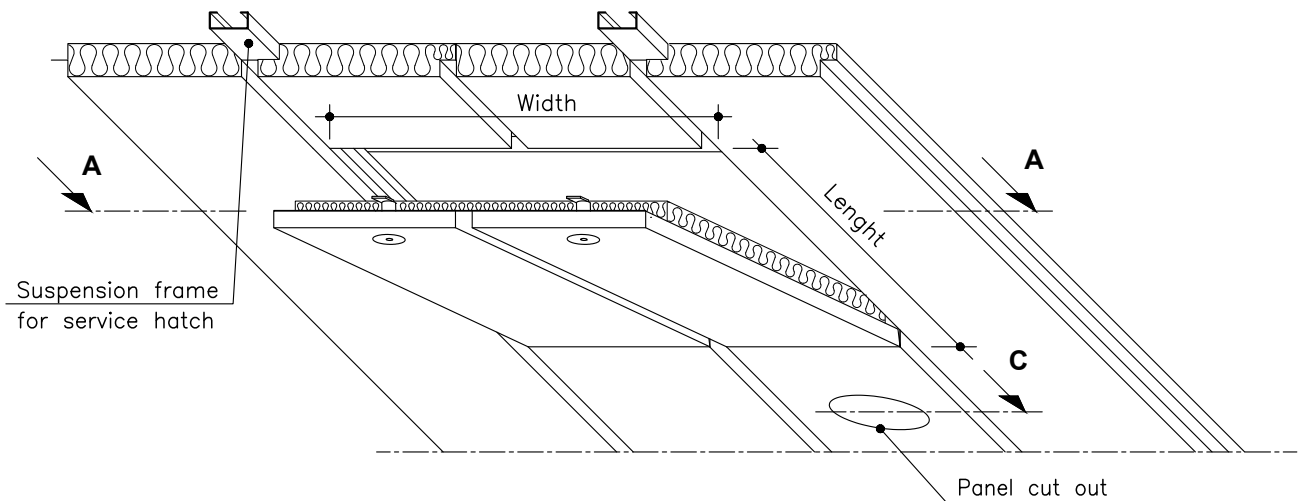
No. 64 CARRIER LOCK



**No. 65 CARRIER LOCK
VIBRATION INSULATED**

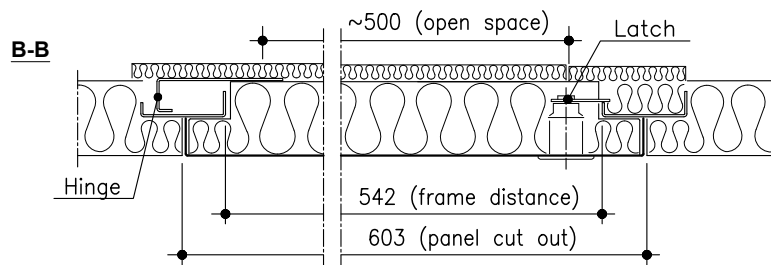


MARINE PANEL LAUTEX HT-300 / B-15 / A-30 DECK



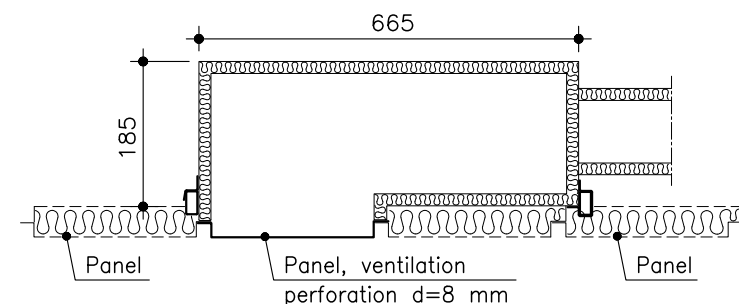
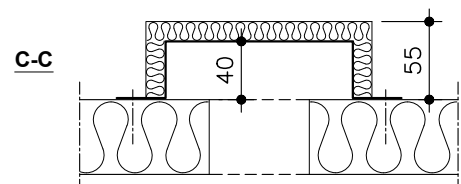
SERVICE HATCH Standard sizes

	Width x Length (module size)	W x L (open space)
1 panel	300 x 300	195 x 200
1 panel	300 x 600	195 x 500
2 panels	600 x 300	495 x 200
2 panels	600 x 600	495 x 500



COVER BOX FOR EQUIPMENT

size: 160x450 h=55
or 270x250 h=95



VENTILATION BOX

for one or two panels (perforated)
length 665 mm, height 185 mm
width: 650, 800 or 1000 mm

WEIGHT OF PANELS KG / M2

Panel	HT-300/B-15
Material	0.6 mm steel 50 mm stone wool
Weight	11.2 kg

THEORETICAL NEED OF SUSPENSION STRUCTURES

Product	Need of material
Carrier No. 90	1.2 – 1.6 m/m ²
Carrier lock	1 pcs / carrier meter
Z-list No. 51C	0 – 1.4 m/m ²
Screw 4.2x13 No.75	~8 pcs /m ²
J-list No. 168	0.8 – 1.4 m/m ²

WEIGHT OF OTHER CEILING MATERIALS

Extra stone wool, s=50 mm	5.50 kg/m ²
Carrier No. 90	0.83 kg/m
Carrier lock	0.08 kg/pcs
Z-list No. 51C (1.0 steel)	0.52 kg/m
J-list No. 168 (1.5 steel)	1.26 kg/m

