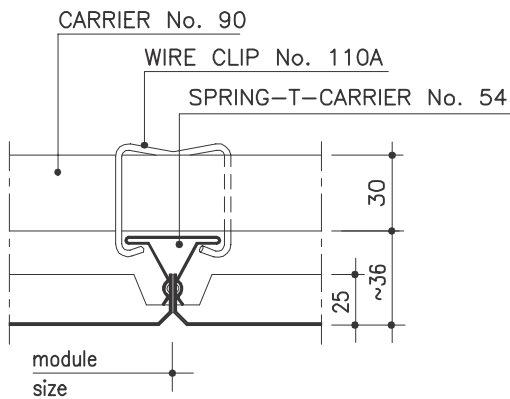
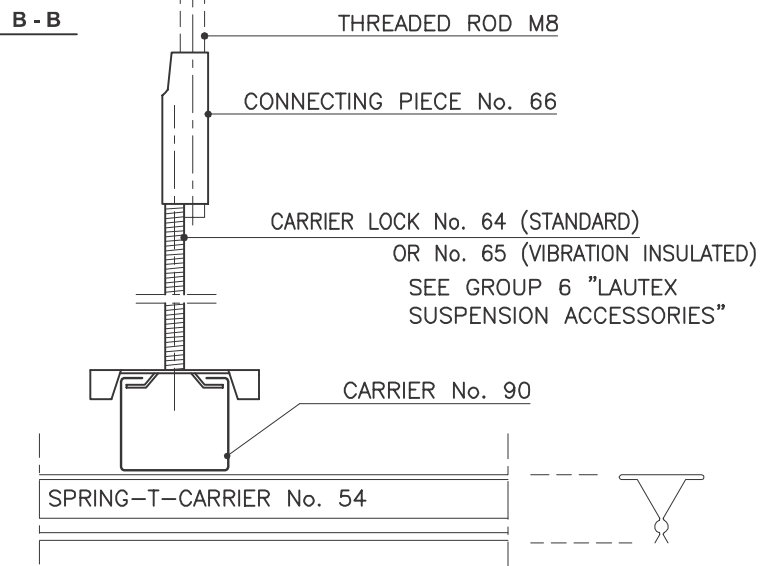
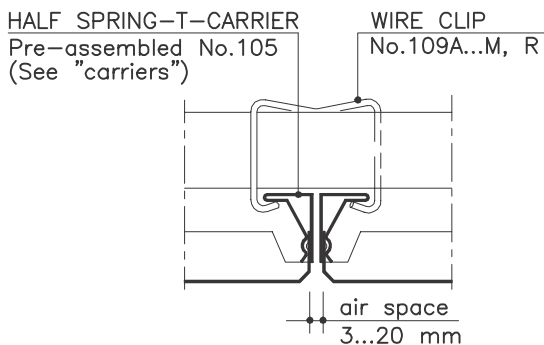


**C - C (ALT. 1)**  
**INSTALLATION WITHOUT AIR SPACE**



**C - C (ALT. 2)**  
**INSTALLATION WITH AIR SPACE**



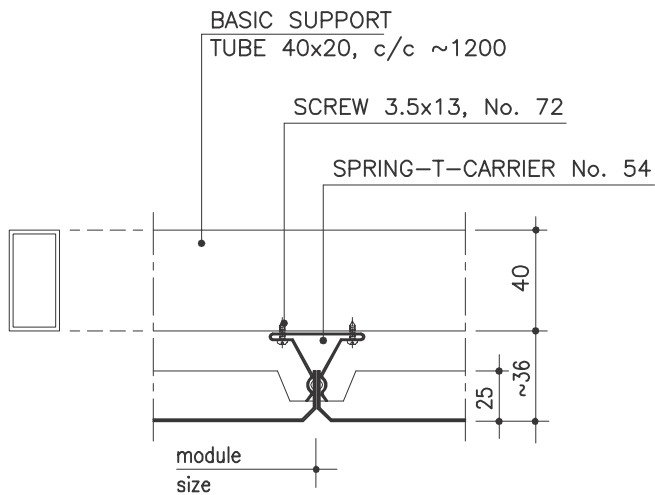
**THEORETICAL NEED OF SUSPENSION STRUCTURES**

Product	Need of material
Carrier No.90	1.6 m/m <sup>2</sup>
Carrier locks	4 pcs/m <sup>2</sup>
Z-list No.51C	0.8 - 1.4 m/m <sup>2</sup>
L-list No.50	0.8 - 1.4 m/m <sup>2</sup>
Spring-T-carrier No. 54 (module size 600x600)	1.8 m/m <sup>2</sup>
Wire clip No. 110	4 pcs/m <sup>2</sup>

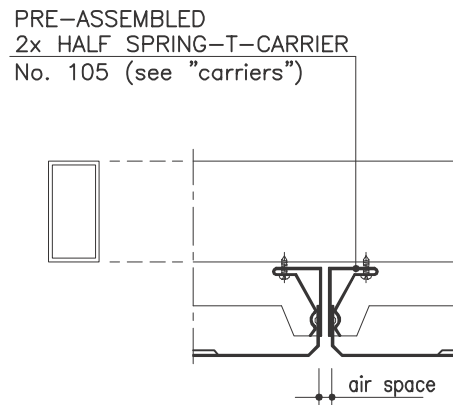
Latest information: [www.lautex.com](http://www.lautex.com)

All products are subject to modifications without prior notice

## LAUTEX SUSPENSION SYSTEMS FOR J-TYPE CASSETTES



**C - C**  
- SCREW FASTENING TO  
BASIC SUPPORT TUBES



**C - C**  
- SCREW FASTENING TO  
BASIC SUPPORT TUBES  
- PRE-ASSEMBLED  
HALF SPRING-T-CARRIERS

Latest information: [www.lautex.com](http://www.lautex.com)

All products are subject to modifications without prior notice