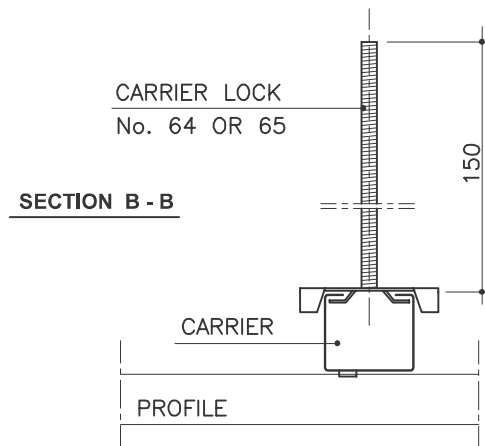
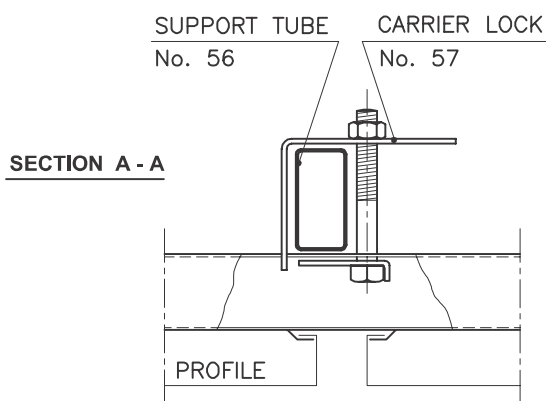
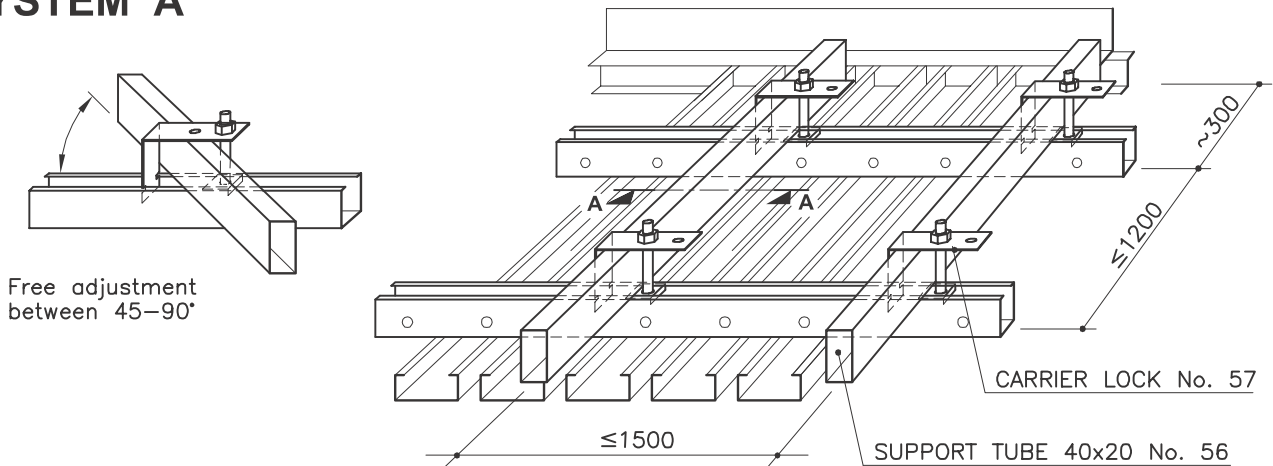
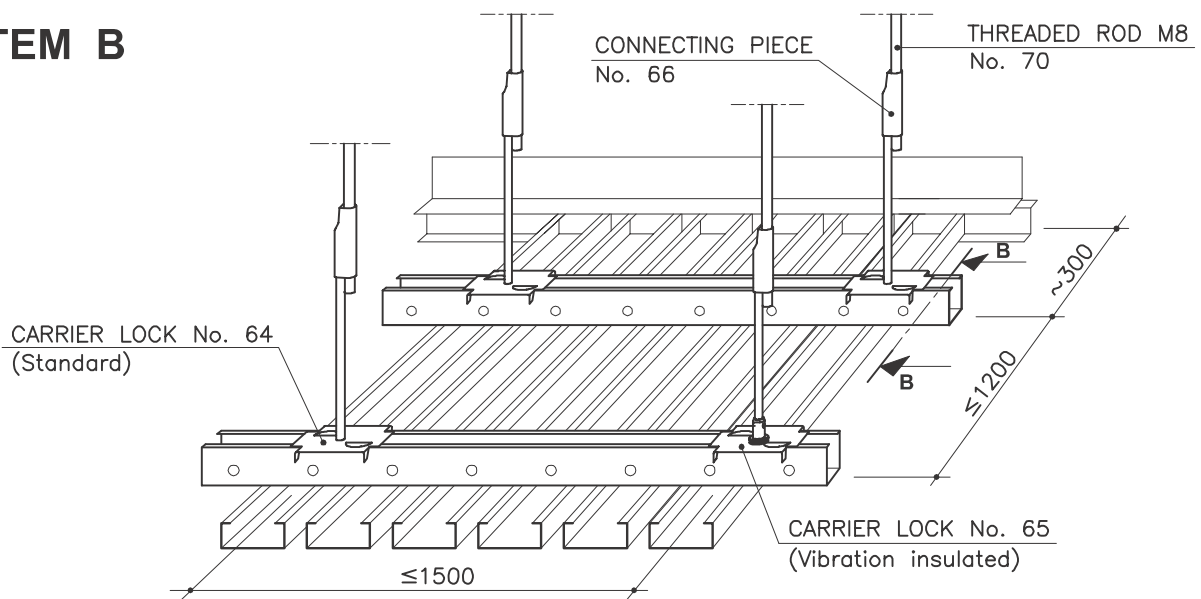


LAUTEX SUSPENSION SYSTEMS FOR PROFILES

SYSTEM A



SYSTEM B



Latest information: www.lautex.com

All products are subject to modifications without prior notice

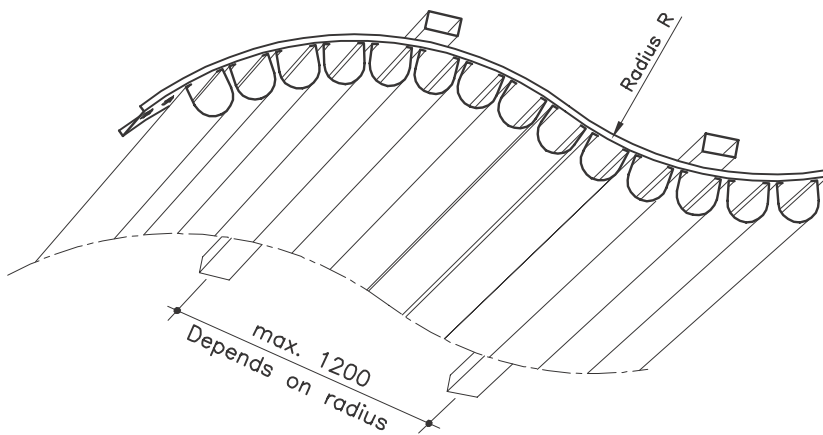
LAUTEX CURVED CEILINGS AND DIAGONAL INSTALLATION

CURVED PROFILE CEILINGS

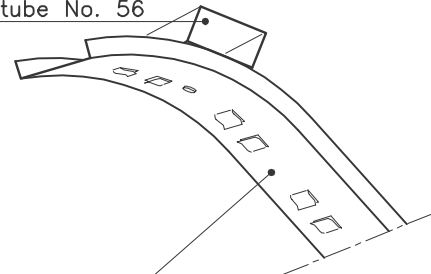
The profile ceilings can be curved using our PR-carrier No. 88A ... X.

The minimum radius depends on profile width and air space.

Ideal for narrow profiles e.g. for PR-P

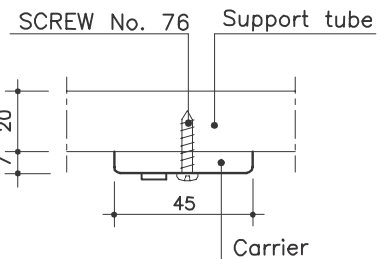


Support tube No. 56



PR-carrier No. 88A...X

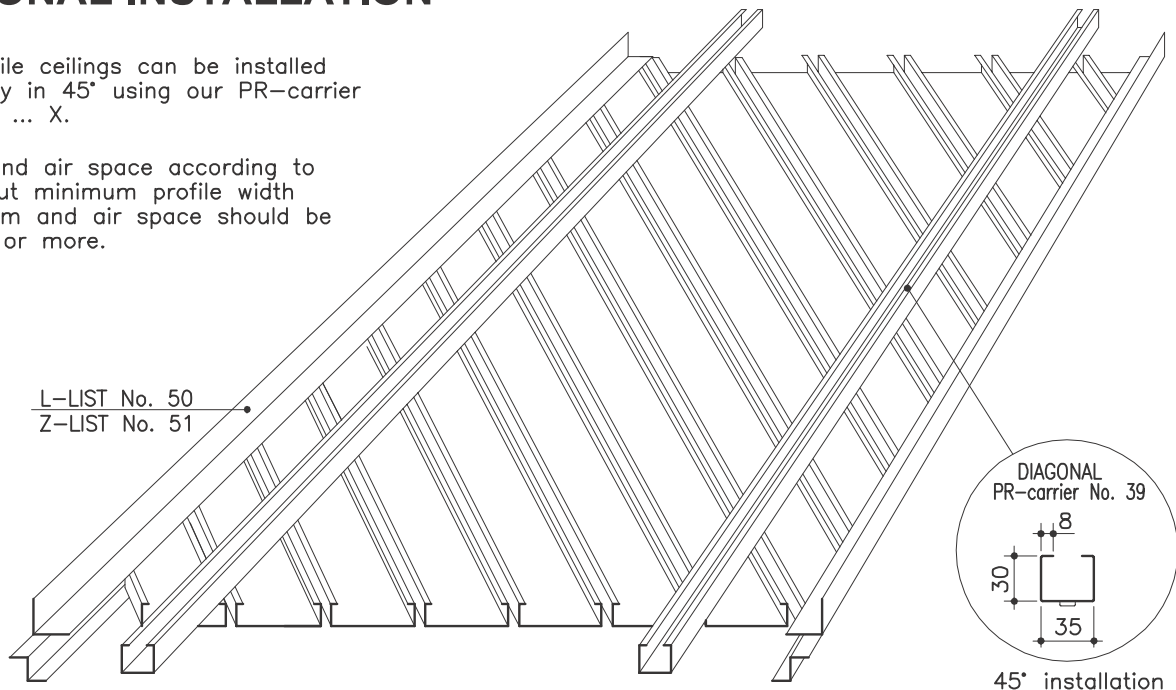
Radius R according to order but minimum R=600mm



DIAGONAL INSTALLATION

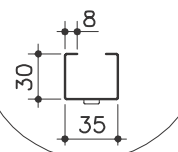
The profile ceilings can be installed diagonally in 45° using our PR-carrier No. 39C ... X.

Profile and air space according to order, but minimum profile width is 50 mm and air space should be 10 mm or more.



L-LIST No. 50
Z-LIST No. 51

DIAGONAL
PR-carrier No. 39

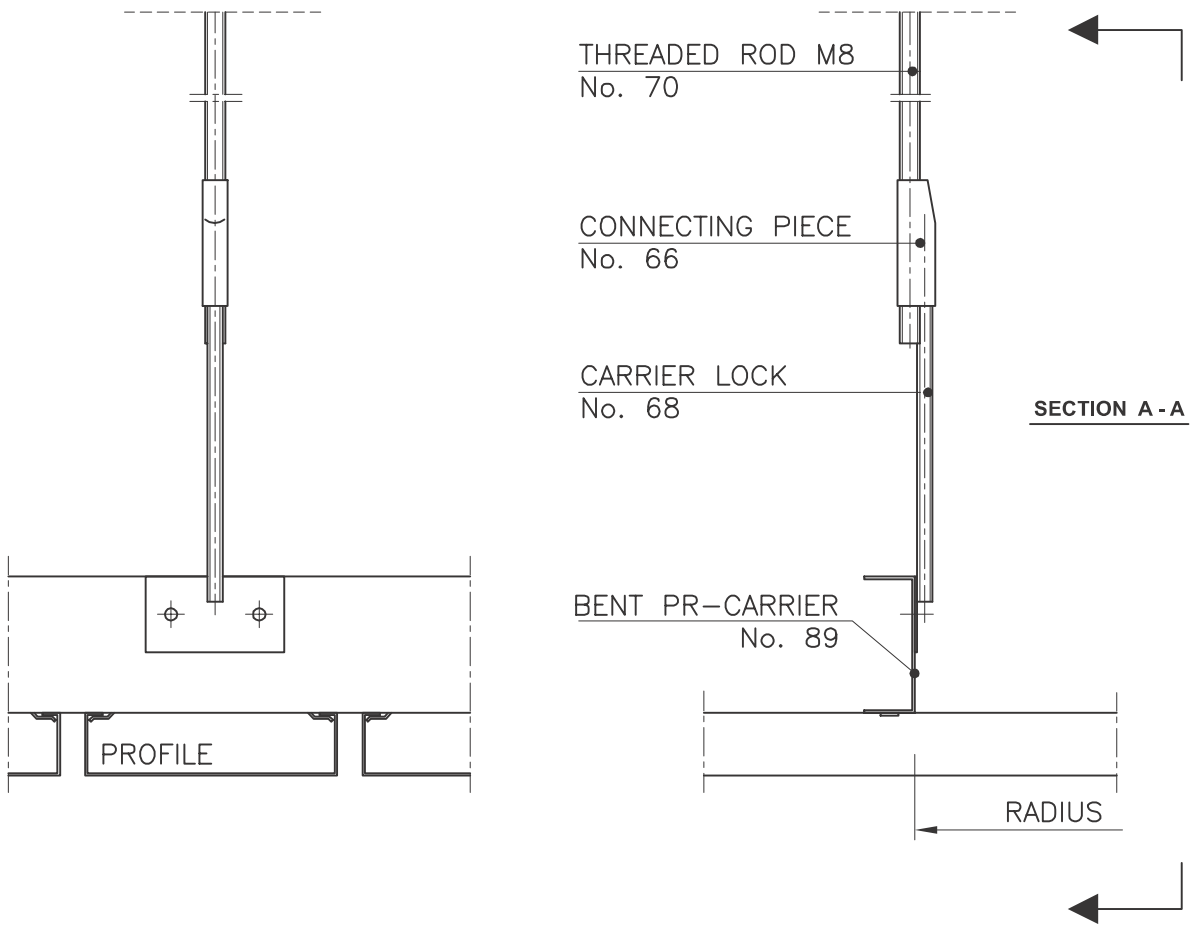
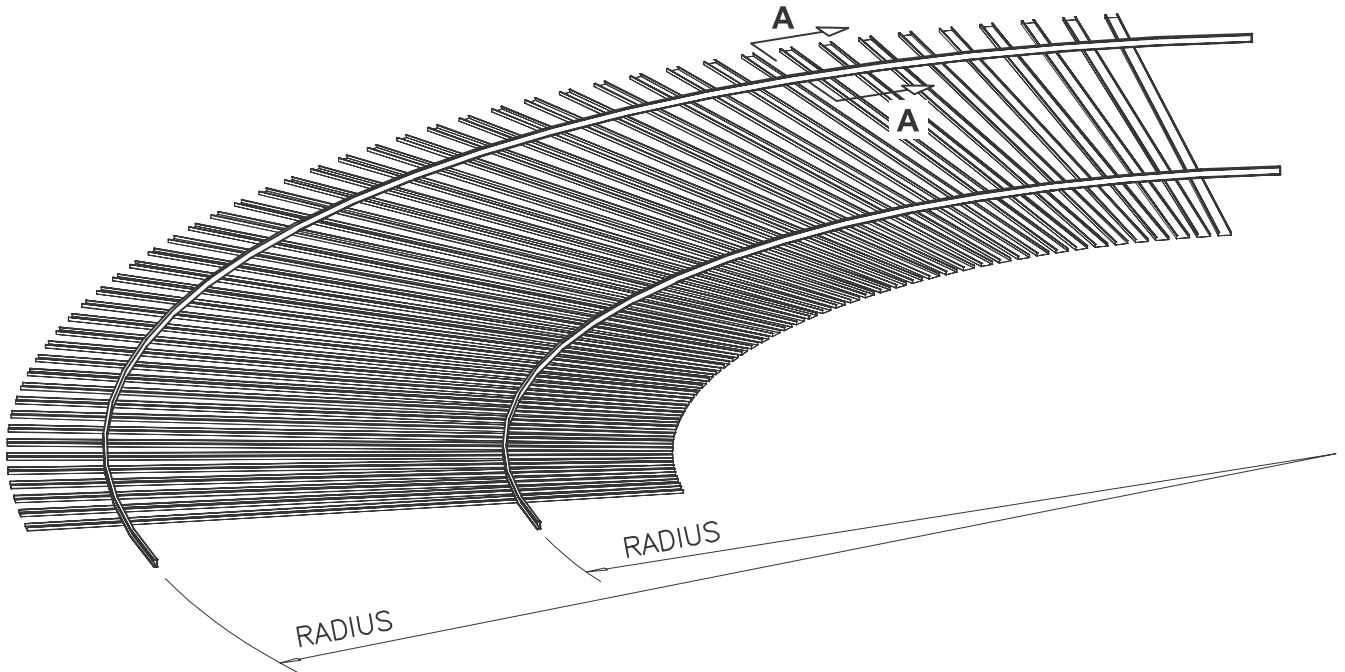


45° installation

Latest information: www.lautex.com

All products are subject to modifications without prior notice

RADIAL INSTALLATION OF LAUTEX PROFILES



Latest information: www.lautex.com

All products are subject to modifications without prior notice