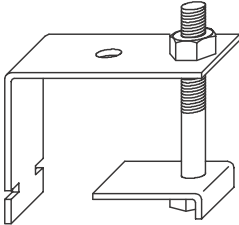
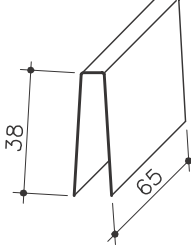
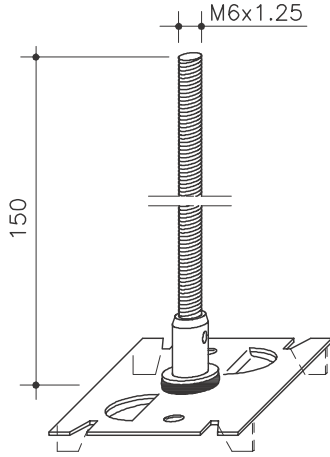
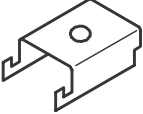
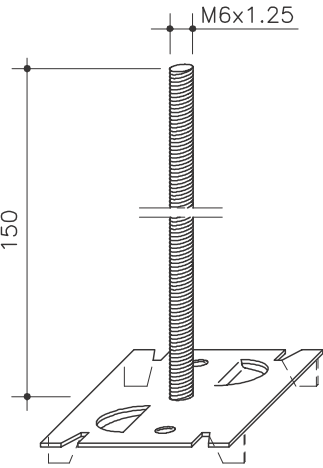
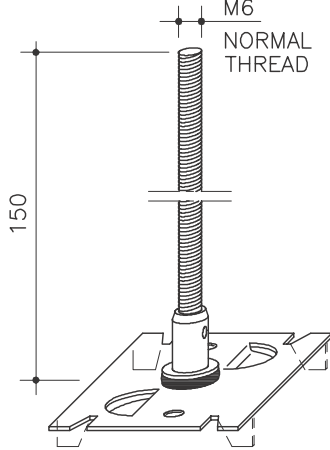
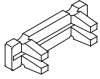
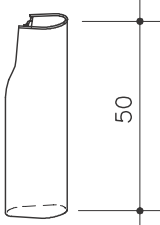
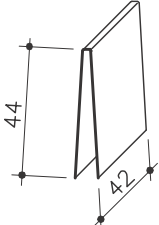


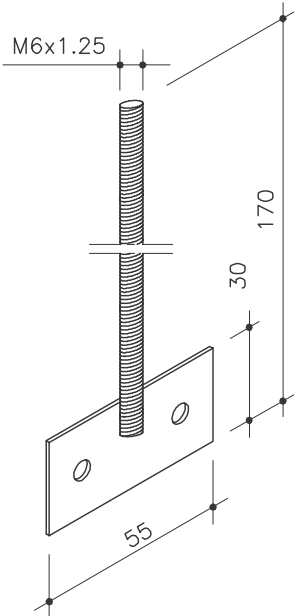
LAUTEX SUSPENSION ACCESSORIES

<p>No. 57 CARRIER LOCK (FOR SUSPENSION SYSTEM A)</p>  <p>97 g/pc</p>	<p>No. 62 CONNECTING PIECE (FOR WJ-GRATINGS)</p>  <p>6 g/pc</p>	<p>No. 65 CARRIER LOCK VIBRATION INSULATED FOR INSTALLATION WITH M8 ROD</p>  <p>80 g/pc</p>
<p>No. 59 FASTENING PIECE</p>  <p>6 g/pc</p>	<p>No. 64 CARRIER LOCK FOR INSTALLATION WITH M8 ROD</p>  <p>80 g/pc</p>	<p>No. 65A CARRIER LOCK VIBRATION INSULATED FOR INSTALLATION WITH M6 ROD</p>  <p>80 g/pc</p>
<p>No. 60 CONNECTING PIECE (FOR N-AND NX-GRATINGS)</p> 		<p>No. 66 CONNECTING PIECE</p>  <p>15 g/pc</p>
<p>No. 61 CONNECTING PIECE (FOR W-GRATINGS)</p>  <p>6 g/pc</p>		

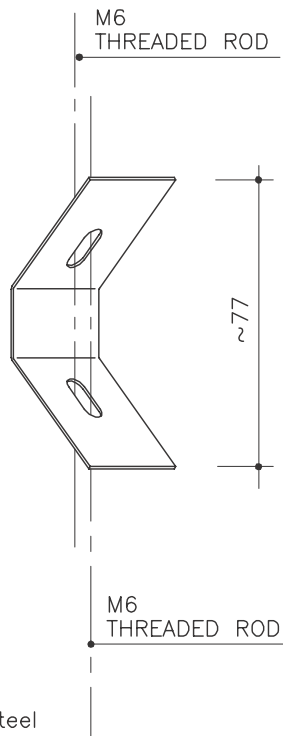
LAUTEX SUSPENSION ACCESSORIES

PAGE 2/3

No. 68 CARRIER LOCK



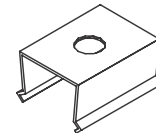
No. 70A SPRING CLIP



0.8 Steel
2 g/pc

No. 79 FASTENING PIECE

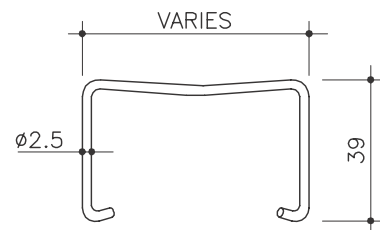
(FOR FASTENING OF DECORATIVE PROFILE No. 10)



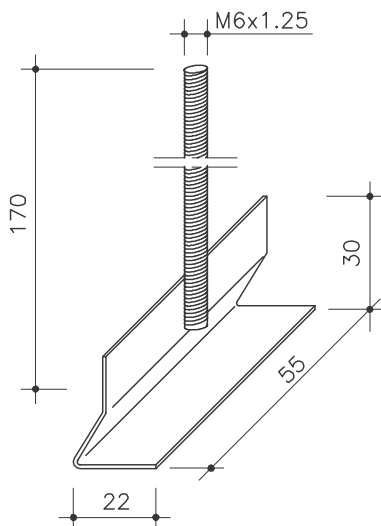
steel
1 g/pc

No. 109 WIRE CLIP

(FOR 90° INSTALLATION WITH HALF-SPRING-T-CARRIERS, AIR SPACE 3 – 20 mm)



No. 69 CARRIER LOCK



46 g/pc

MISCELLANEOUS ACCESSORIES

No. 70 THREADED ROD M8

L=200, 300, 400, 500, 600, 2000
0.31 kg/m

No. 106 THREADED ROD M6x1.25

L=200, 300, 400, 500, 600, 2000
0.16 kg/m

**No. 106A THREADED ROD M6
(NORMAL THREAD)**

L=200, 300, 400, 500, 600, 2000
0.16 kg/m

No. 71* SCREW 3.5x9.5

No. 72* SCREW 3.5x13

No. 73 POP-RIVET 3.2x7.5

No. 74 POP-RIVET 3.2x12

No. 75* SCREW 4.2x13

FOR BO/B15 CEILINGS

No. 76* SCREW 4.2x25

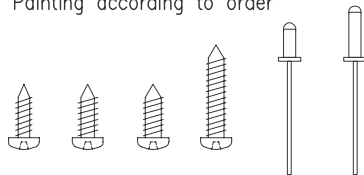
No. 77 SCREW 3.0x13

No. 78* SCREW 4.2x13

FLAT HEAD

* marked = self tapping

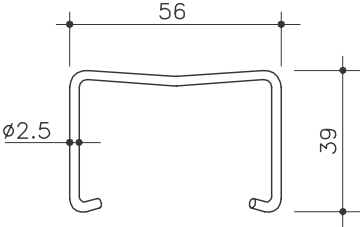
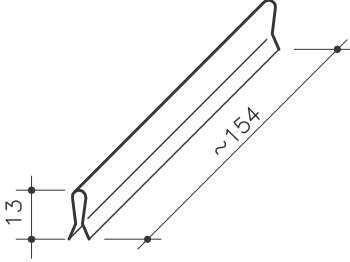
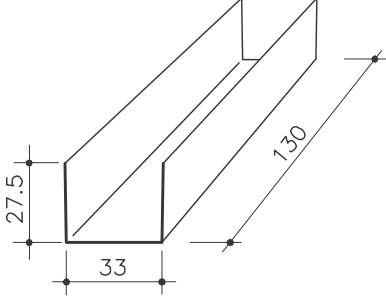
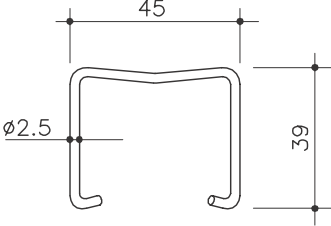
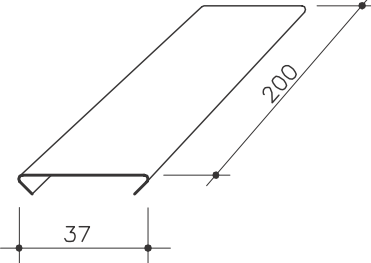
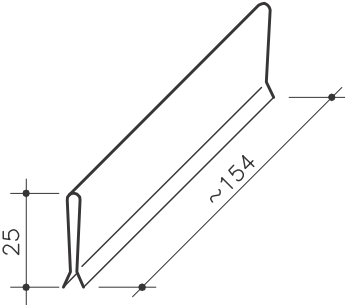
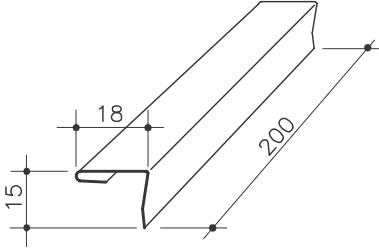
Painting according to order



SPLICE No.	AIR SPACE
109A	3 mm
109B	4 mm
109C	5 mm
109D	6 mm
109E	7 mm
109F	8 mm
109G	9 mm
109H	10 mm
109I	11 mm
109J	12 mm
109K	13 mm
109L	14 mm
109M	15 mm
109R	20 mm

∅ 2.5 steel
5 g/pc

LAUTEX SUSPENSION ACCESSORIES

<p>No. 110A / 90° WIRE CLIP (FOR 90° INSTALLATION)</p>  <p>Ø 2.5 steel 5 g/pc</p>	<p>No. 112B CONNECTING PIECE FOR 10 mm END BENDS</p>  <p>0.5 steel 17 g/pc</p>	<p>No. 115 CONNECTING PIECE FOR STANDARD CARRIERS</p>  <p>1.0 steel 87 g/pc</p>
<p>No. 110B / 45° WIRE CLIP (FOR 45° INSTALLATION)</p>  <p>Ø 2.5 steel 5 g/pc</p>	<p>No. 113 SPLICE FOR SPRING-T-CARRIER</p>  <p>0.5 steel 45 g/pc</p>	
<p>No. 112 CONNECTING PIECE</p>  <p>0.5 steel 31 g/pc</p>	<p>No. 114 SPLICE FOR HALF SPRING-T-CARRIER</p>  <p>0.5 steel 33 g/pc</p>	