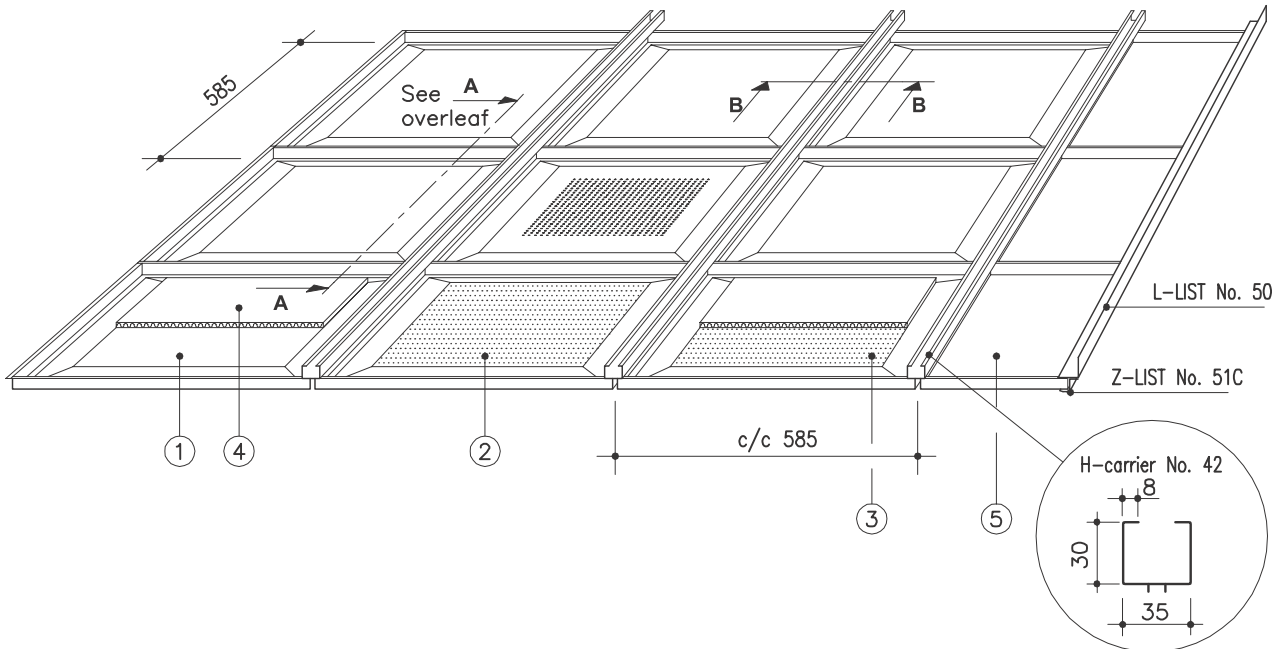
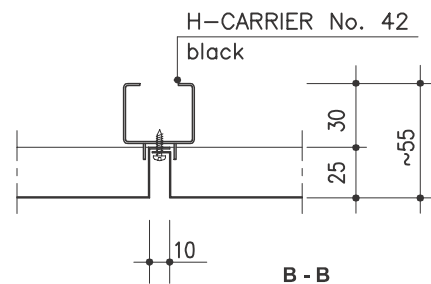


MARINE CASSETTE LAUTEX RL-585



- ① = RL-585; unperforated without
- ② = RLR-585; perforated without acoustic inlay
- ③ = RLRT-585; perforated, with mineral wool in plastic
- ④ = RLT-585; unperforated, with mineral wool in plastic
- ⑤ = NL-585; fitting cassette NL-585 (0.7 Al)



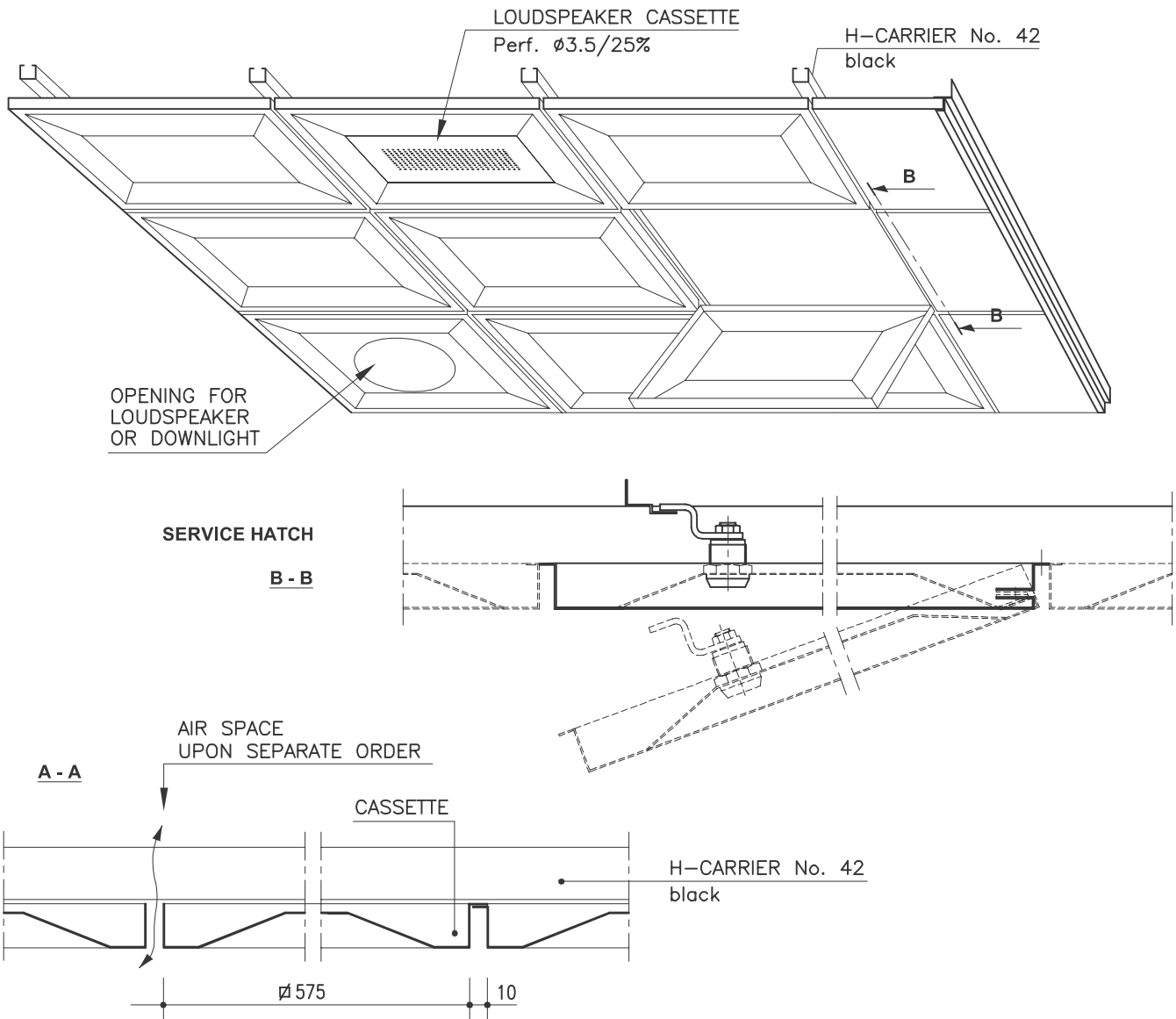
RL-585 CASSETTES / CLASSIFICATION "C"

| | |
|-------------------------|---------------------------------------------------------------------------------|
| Material | 0.5 Steel |
| Module | 585 x 585 mm |
| Height | 25 mm |
| Perforation | ∅3.5 mm |
| Inlay | mineral wool in plastic or acoustic felt |
| Finish | stove enamelled according to any well-known colour chart |
| Ventilation | installation also with air space |
| Protective film | the surface is provided with a protective film if required |
| Service hatch | see overleaf |
| Loudspeaker | perforated cassette with ∅3.5/25%, middle area |
| Edge lists | see group 6 "Lautex lists" and page 21 "Lautex marine cassette typical details" |
| Downlight unit | see overleaf |
| Suspensions | see page 17 "Suspension systems for L-type cassettes" |
| Other special solutions | please contact our technical information department |

Latest information: www.lautex.com

All products are subject to modifications without prior notice

MARINE CASSETTE LAUTEX RL-585 INSTALLATION ACCESSORIES



CASSETTE CONNECTION TO WALL PLEASE SEE PAGE 21

THEORETICAL NEED OF SUSPENSION STRUCTURES

| Product | Need of material |
|----------------|----------------------------|
| Carrier No. 42 | 1.8 m/m ² |
| L-list No. 50 | 0.8 – 1.4 m/m ² |
| Z-list No. 51C | 0.8 – 1.4 m/m ² |

WEIGHT OF CEILING

| | |
|----------|-----------------------|
| Cassette | RL-585 |
| Material | 0.5 Steel |
| Weight | 4.4 Kg/m ² |

WEIGHT OF OTHER CEILING MATERIALS

| Product | Weight of material |
|---------------------------------|------------------------|
| Carrier No. 42 (1.0 Steel) | 0.83 kg/m |
| L-list No. 50 or 83 (1.5 Al) | 0.32 kg/m |
| L-list No. 50 or 83 (1.0 steel) | 0.62 kg/m |
| Z-list No. 51C (1.0 Al) | 0.15 kg/m |
| Mineral wool in plastic | 0.52 kg/m ² |

Latest information: www.lautex.com

All products are subject to modifications without prior notice