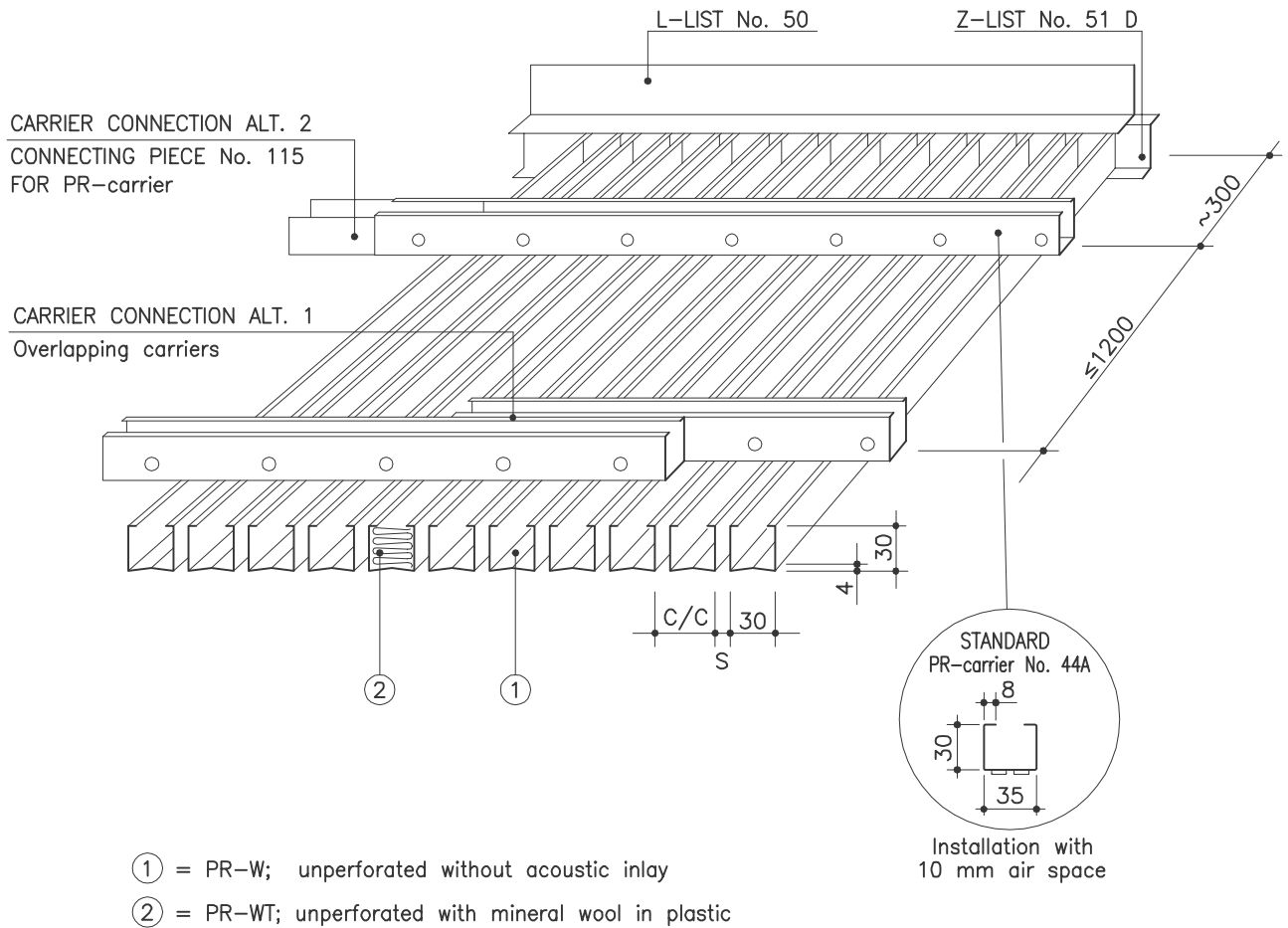


MARINE PROFILE LAUTEX PR-W



PR-W PROFILES / CLASSIFICATION "C"

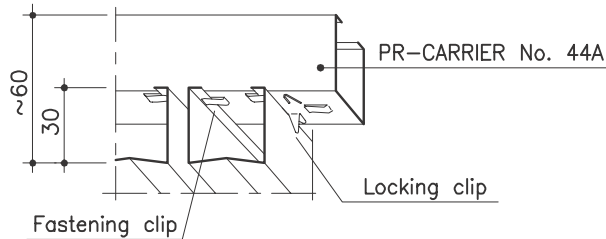
Material	0.4 Al
Width	30 mm
Height	30 mm
Length	max 5000 mm
Air spaces	recommended air space = 10 mm also according to order, but ≥ 10 mm
Perforation	none
Inlay	mineral wool in plastic
Finish	stove enamelled (or anodized) according to any well-known colour chart
Protective film	the surface is provided with a protective film if required
Loudspeaker profile	see overleaf
Downlight unit	see overleaf
Connecting piece	No. 189E, see pages 22 & 23
Curved ceilings	see page 20 & 21 "Curved ceilings and diagonal installation"
Suspension	see page 19 "Suspension systems for profiles"
Edge lists	see group 6 "Lautex lists and pages 22 & 23 "Lautex marine profiles typical details"
Other solutions	please contact our technical information department

Latest information: www.lautex.com

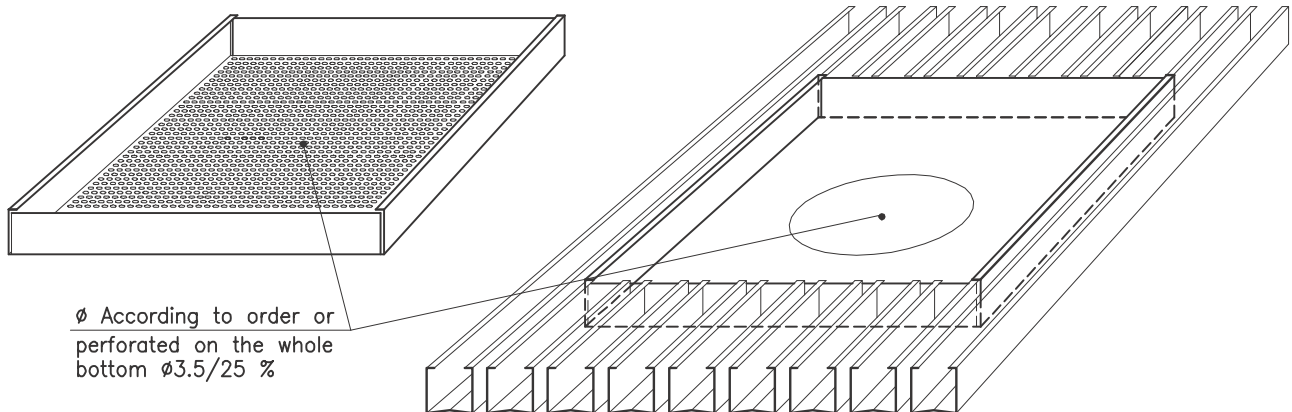
All products are subject to modifications without prior notice

MARINE PROFILE LAUTEX PR-W INSTALLATION ACCESSORIES

INSTALLATION WITH AIR SPACE 10 MM



DOWNLIGHT OR LOUDSPEAKER PROFILE



SOLUTION OF PROFILE EXTENSION AND PROFILE CONNECTION TO WALL PLEASE SEE PAGES 22 & 23

THEORETICAL NEED OF SUSPENSION STRUCTURES

Product	Need of material
Carrier No. 44A	1.2 – 1.6 m/m ²
Carrier lock	1 pcs / carrier meter
L-list No. 50	0.8 – 1.4 m/m ²
Z-list No. 51D	0.8 – 1.4 m/m ²

WEIGHT OF PROFILES KG / M²

PR-W	
Material	0.4 Al
Weight	2.70

WEIGHT OF OTHER CEILING MATERIALS

Product	Weight of material
Mineral wool in plastic	0.52 kg/m ²
Carrier No. 44A	0.83 kg/m
Carrier lock	0.08 kg/pcs
L-list No. 50 or 83 (1.5 Al)	0.32 kg/m
L-list No. 50 or 83 (1.0 steel)	0.62 kg/m
Z-list No. 51D (1.0 Al)	0.18 kg/pcs

Latest information: www.lautex.com

All products are subject to modifications without prior notice