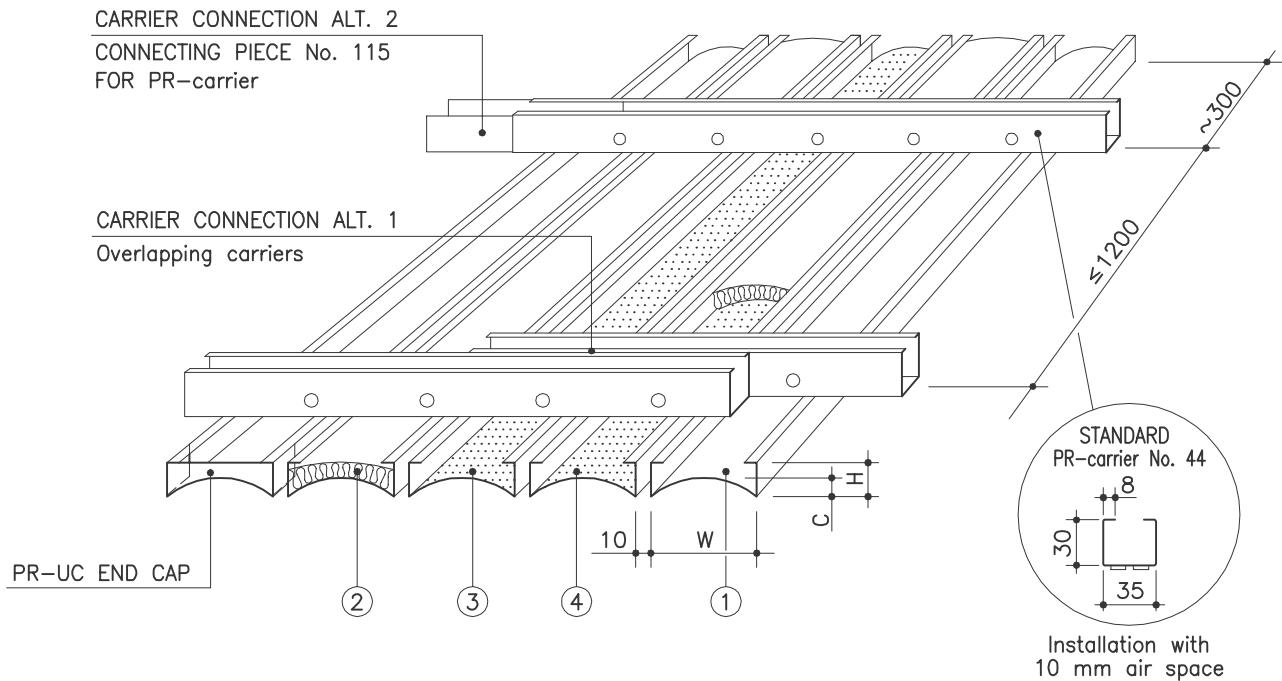


MARINE PROFILE LAUTEX PR-UC



- ① = PR-UC; unperforated without acoustic inlay
- ② = PR-UCT; unperforated with mineral wool in plastic
- ③ = PR-UCR; perforated without acoustic inlay
- ④ = PR-UCRT; perforated with mineral wool in plastic

PR-UC PROFILES / CLASSIFICATION "C"

Profile	H mm	W mm	C mm	length max. mm	material	carrier No. air space 10 mm	connecting piece
23x70x23	23	70	12	4000	0.7 Al	44E	189F
26x110x26	26	110	20	4000	0.7 Al	44X	189G
35x200x35	35	200	23	4000	0.7 Al	44X	189H

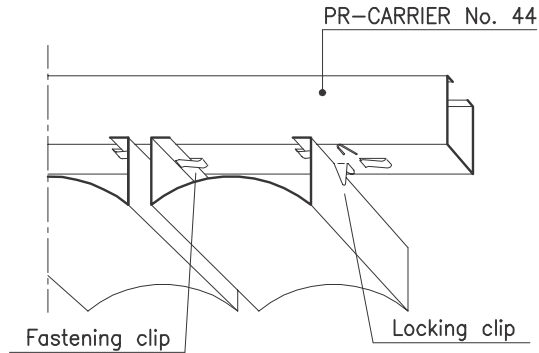
Perforation	∅ 2.0/15 % other alternatives see group 6 "perforations"
Air spaces	recommended air space = 10 mm also according to order, but ≥ 10 mm
Inlay	mineral wool in plastic
Finish	stove enamelled (or anodized) according to any well-known colour chart
Protective film	the surface is provided with a protective film if required
Loudspeaker profile	see overleaf
Downlight unit	see overleaf
Connecting piece	see above and pages 22 & 23
Suspension	see page 19 "Suspension systems for profiles"
Edge lists	see group 6 "Lautex lists" and pages 22 & 23 "Lautex marine profiles typical details"
Installation with PR-UD	see overleaf
Diagonal installation	PR-carrier No. 39C...39X for diagonal installation in 45°, air space according to order but ≥ 10 mm, see page 20 & 21 "Curved ceilings and diagonal installation"
Other solutions	please contact our technical information department

Latest information: www.lautex.com

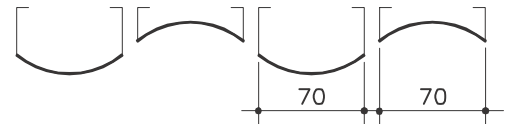
All products are subject to modifications without prior notice

MARINE PROFILE LAUTEX PR-UC INSTALLATION DETAILS AND ACCESSORIES

INSTALLATION WITH AIR SPACE 10 MM

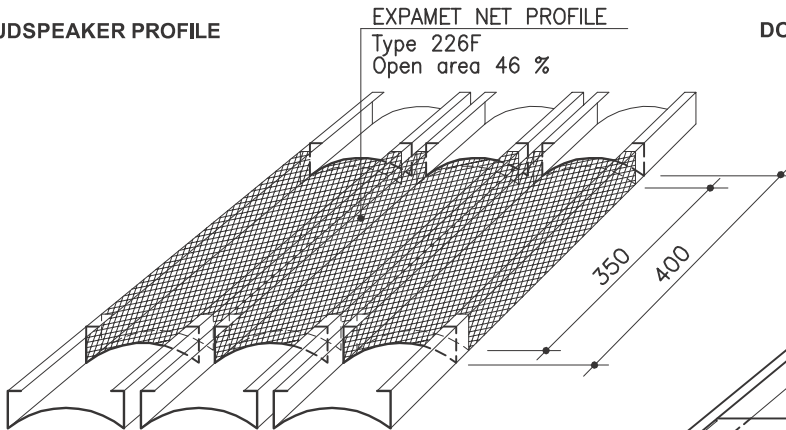


COMBINATION CEILING PR-UC / PR-UD

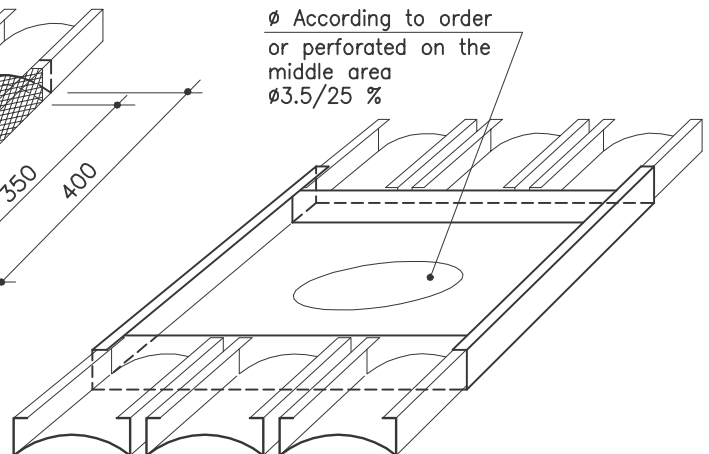


By combining profiles PR-UD and PR-UC, it is possible to create an elegant wavy ceiling.

LOUDSPEAKER PROFILE



DOWNLIGHT OR LOUDSPEAKER PROFILE



SOLUTION OF PROFILE EXTENSION AND PROFILE CONNECTION TO WALL PLEASE SEE PAGES 22 & 23

THEORETICAL NEED OF SUSPENSION STRUCTURES

Product	Need of material
Carrier No. 44	1.2 – 1.6 m/m ²
Carrier lock	1 pcs / carrier meter

WEIGHT OF PROFILES KG / M²

	PR-UC, 0.7 Al		
Width	70 mm	110 mm	200 mm
Weight	3.12	2.87	2.58

WEIGHT OF OTHER CEILING MATERIALS

Product	Weight of material
Mineral wool in plastic	0.52 kg/m ²
Carrier No. 44	0.83 kg/m
Carrier lock	0.08 kg/pcs

Latest information: www.lautex.com

All products are subject to modifications without prior notice