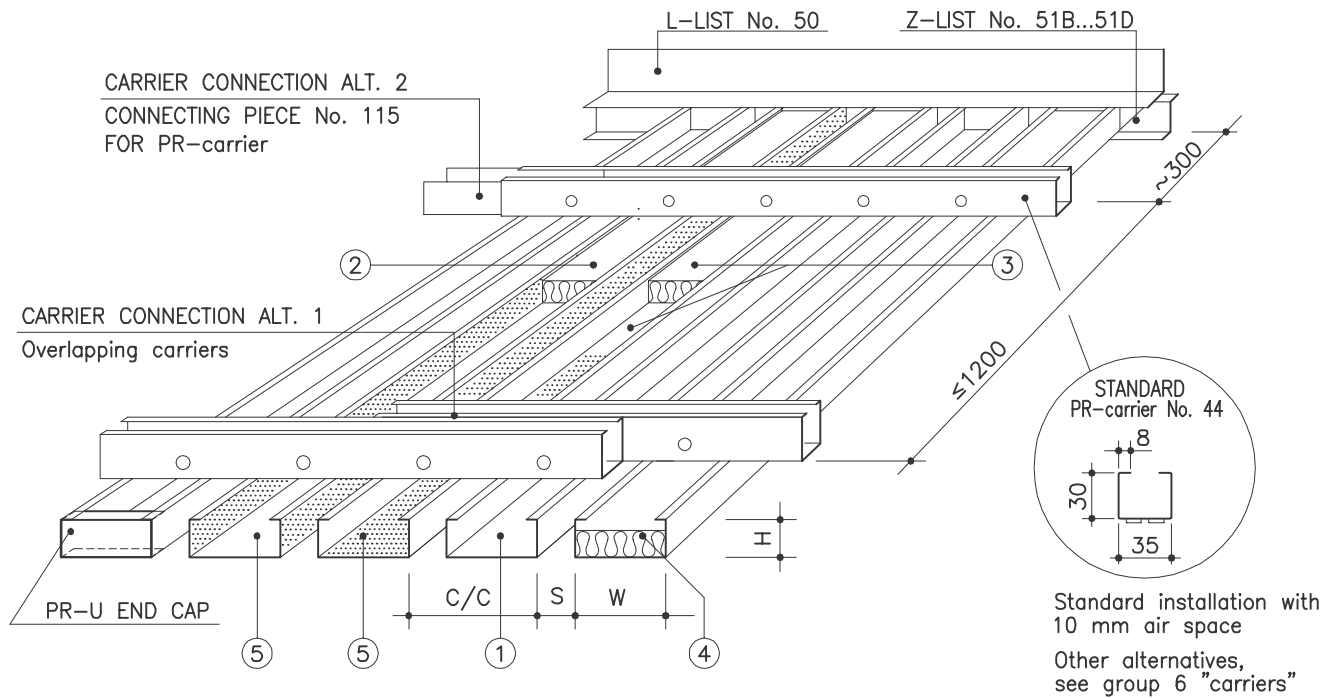


## MARINE PROFILE LAUTEX PR-U



Standard dimensions, see overleaf

- |   |  |
|---|--|
| ① = PR-U; unperforated without acoustic inlay                                       | ④ = PR-UT; unperforated with mineral wool in plastic                           |
| ② = PR-URT; perforated on the sides, with mineral wool in plastic                   | ⑤ = PR-UR; perforated on the sides and/or on the bottom without acoustic inlay |
| ③ = PR-URT; perforated on the bottom, with acoustic felt or mineral wool in plastic |  |
- THE HOLE SIZE AND THE PERFORATION AREA MUST BE SPECIFIED

Air spaces	recommended air space = 10 mm also according to order, but $\geq 10$ mm
Perforation	profile width $\leq 100$ mm; $\phi$ 1.1/21 %, $> 100$ mm $\phi$ 2.0/15 % other alternatives see group 6 "perforations"
Inlay	acoustic felt or mineral wool in plastic
Finish	stove enamelled (or anodized) according to any well-known colour chart
Protective film	the surface is provided with a protective film if required
End bendings	not standard
Service hatch	see overleaf
Loudspeaker profile	see overleaf
Downlight unit	see overleaf
Curved ceilings	see page 20 & 21 "Curved ceiling and diagonal installation"
Suspension	see page 19 "Suspension systems for profiles"
Edge lists	see group 6 "Lautex lists" and pages 22 & 23 "Lautex marine profiles typical details"
Diagonal installation	PR-carrier No. 39C...39X for diagonal installation in 45°, air space according to order but $\geq 10$ mm, see page 20 "Curved ceiling and diagonal installation"
Other solutions	please contact our technical information department

Latest information: [www.lautex.com](http://www.lautex.com)

All products are subject to modifications without prior notice

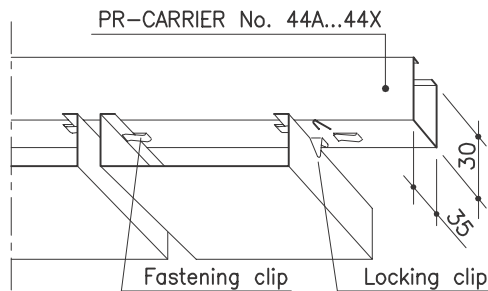
## MARINE PROFILE LAUTEX PR-U INSTALLATION ACCESSORIES

### PR-U PROFILES / CLASSIFICATION "C"

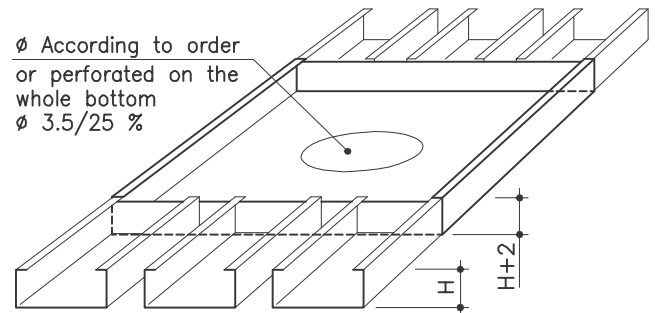
Profile	height mm	width mm	length max. mm	material
45x20x45	45	20	6500	0.4 Al, 0.5 steel
42x25x42	42	25	6500	0.4 Al, 0.5 steel
25x30x25	25	30	6500	0.4 Al, 0.5 steel
30x30x30	30	30	6500	0.5 Al, 0.5 steel
40x30x40	40	30	6500	0.5 Al, 0.5 steel
50x30x50	50	30	6500	0.5 Al, 0.5 steel
25x40x25	25	40	6500	0.5 Al, 0.5 steel
35x40x35	35	40	6500	0.5 Al, 0.5 steel
20x50x20	20	50	6500	0.5 Al, 0.5 steel
25x50x25	25	50	6500	0.5 Al, 0.5 steel
30x50x30	30	50	6500	0.4 Al, 0.5 steel
45x50x45	45	50	6500	0.4 Al, 0.5 steel
25x60x25	25	60	6500	0.4 Al, 0.5 steel
20x70x20	20	70	6500	0.4 Al, 0.5 steel

Profile	height mm	width mm	length max. mm	material
15x85x15	15	85	6500	0.5 Al, 0.5 steel
25x80x25	25	80	6500	0.5 Al, 0.5 steel
20x100x20	20	100	6500	0.5 Al, 0.5 steel
20x120x20	20	120	6500	0.7 Al
25x130x25	25	130	6500	0.7 Al
27x135x27	27	135	6500	0.7 Al
25x140x25	25	140	6500	0.7 Al
25x145x25	25	145	6500	0.7 Al
20x150x20	20	150	6500	0.7 Al
25x150x25	25	150	6500	0.7 Al
25x180x25	25	180	6500	0.7 Al
25x190x25	25	190	6500	0.7 Al
25x280x25	25	280	4000	0.7 Al
25x290x25	25	290	4000	0.7 Al

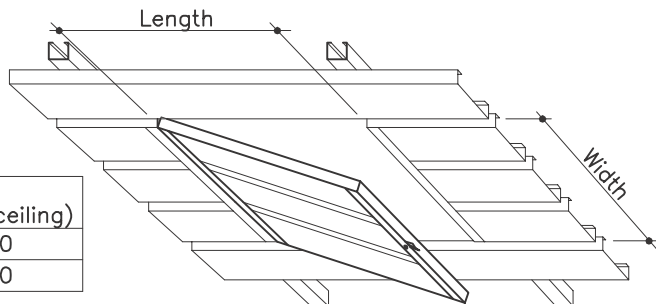
### INSTALLATION WITH AIR SPACE 10 MM



### DOWNLIGHT OR LOUDSPEAKER PROFILE

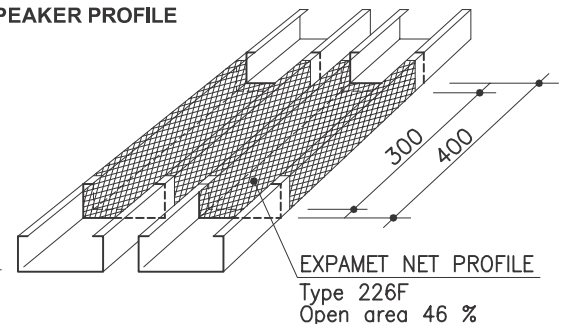


### STANDARD SERVICE HATCHES



LENGTH x WIDTH (opening in the ceiling)
~300 x 300
~600 x 600

### LOUDSPEAKER PROFILE



SOLUTION OF PROFILE EXTENSION AND PROFILE CONNECTION TO WALL PLEASE SEE PAGES 22 & 23

### THEORETICAL NEED OF SUSPENSION STRUCTURES

Product	Need of material
Carrier No. 44 or 39	1.2 – 1.6 m/m <sup>2</sup>
Carrier lock	1 pcs/carrier meter
L-list No. 50	0.8 – 1.4 m/m <sup>2</sup>
Z-list No. 51B...D	0.8 – 1.4 m/m <sup>2</sup>

### WEIGHT OF CEILING MATERIALS

PR-U	Weight of material
Material	
Mineral wool in plastic	0.52 kg/m <sup>2</sup>
Carrier No. 44 or 39	0.83 kg/m
Carrier lock	0.08 kg/pcs
L-list No. 50 or 83 (1.5 Al)	0.32 kg/m
L-list No. 50 or 83 (1.0 Steel)	0.62 kg/m
Z-list No. 51B (1.0 Al)	0.15 kg/pcs
Z-list No. 51C (1.0 Al)	0.16 kg/m
Z-list No. 51D (1.0 Al)	0.17 kg/pcs

Latest information: [www.lautex.com](http://www.lautex.com)

All products are subject to modifications without prior notice