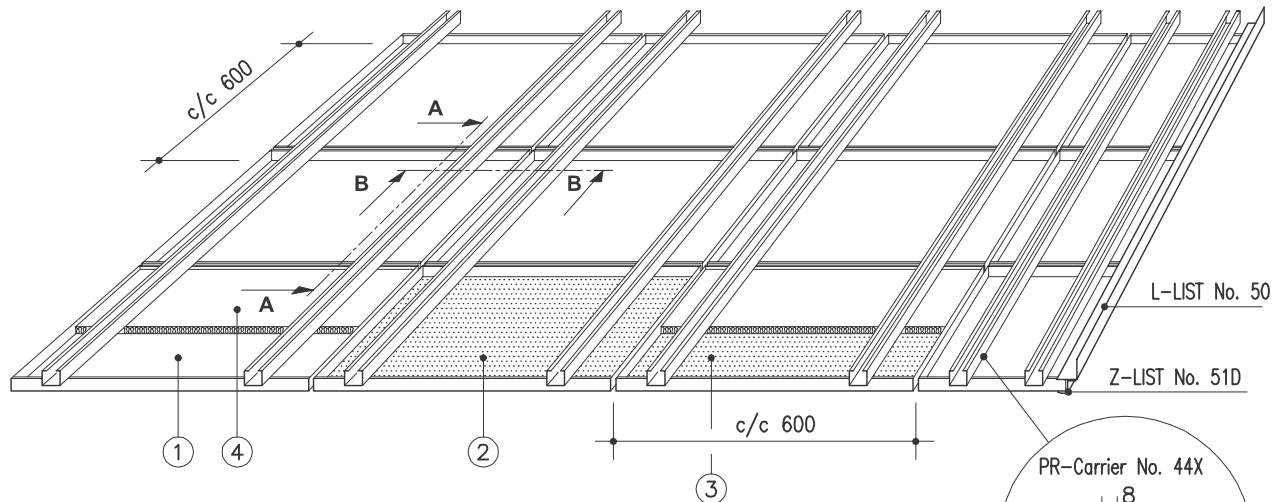
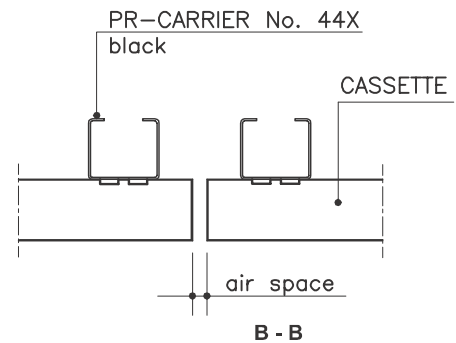
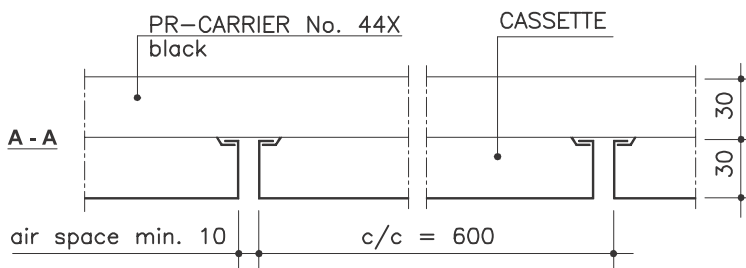


MARINE CASSETTE LAUTEX PR-U 600



INSTALLATION WITH AIR SPACE AROUND THE CASSETTES



- ① = PR-U 600; unperforated without acoustic inlay
- ② = PR-UR 600; perforated without acoustic inlay
- ③ = PR-URT 600; perforated, with mineral wool in plastic
- ④ = PR-UT 600; unperforated, with mineral wool in plastic

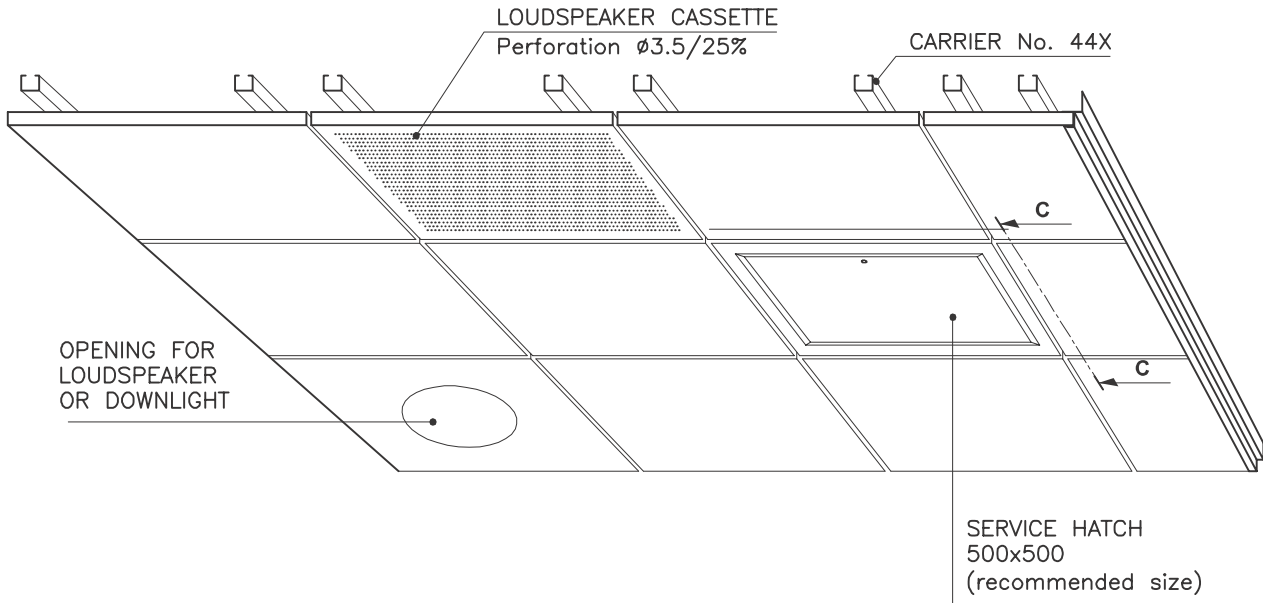
PR-U 600 CASSETTES / CLASSIFICATION "C"

Material	0.7 Al (0.5 Steel)
Module	600x600 mm or according to order
Height	30 mm
Perforation	∅2.0/15% or ∅3.5/25%, other alternatives see group 6 "perforations"
Inlay	mineral wool in plastic or acoustic felt
Finish	stove enamelled (or anodized aluminium) according to any well-known colour chart
Ventilation	installation with air space
Protective film	the surface is provided with a protective film if required
Service hatch	see overleaf
Loudspeaker	perforated cassette with ∅3.5/25% area
Edge lists	see group 6 "Lautex lists" and page 21 "Lautex marine cassettes typical details"
Suspensions	see page 20 "Suspensions systems for U-type cassettes"
downlight unit	see overleaf
Other special solutions	please contact our technical information department

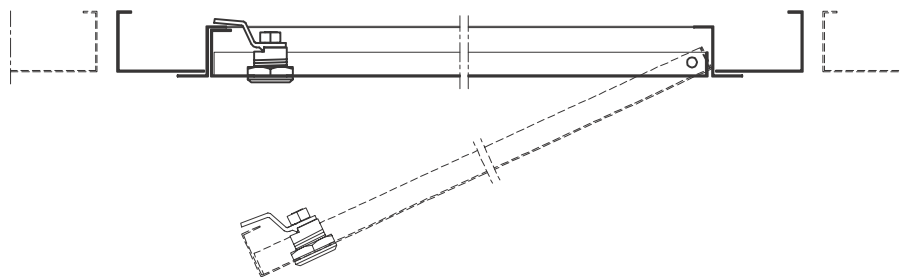
Latest information: www.lautex.com

All products are subject to modifications without prior notice

MARINE CASSETTE LAUTEX PR-U 600 INSTALLATION ACCESSORIES



SECTION C - C
SERVICE HATCH, 500x500



CASSETTE CONNECTION TO WALL PLEASE SEE PAGE 21

THEORETICAL NEED OF SUSPENSION STRUCTURES

Product	Need of material
Carrier No. 44X	3.3 m/m ²
L-list No. 50	0.8–1.4 m/m ²
Z-list No. 51D	0.8–1.4 m/m ²

WEIGHT OF CEILING

Cassette	PR-U 600	
Material	0.7 Al	0.5 Steel
Weight	2.2 Kg/m ²	4.5 Kg/m ²

WEIGHT OF OTHER CEILING MATERIALS

Product	Weight of material
Carrier No. 44X (1.0 Steel)	0.83 kg/m
L-list No. 50 or 83 (1.5 Al)	0.32 kg/m
L-list No. 50 or 83 (1.0 steel)	0.62 kg/m
Z-list No. 51D (1.0 Al)	0.18 kg/m
Mineral wool in plastic	0.52 kg/m ²

Latest information: www.lautex.com

All products are subject to modifications without prior notice