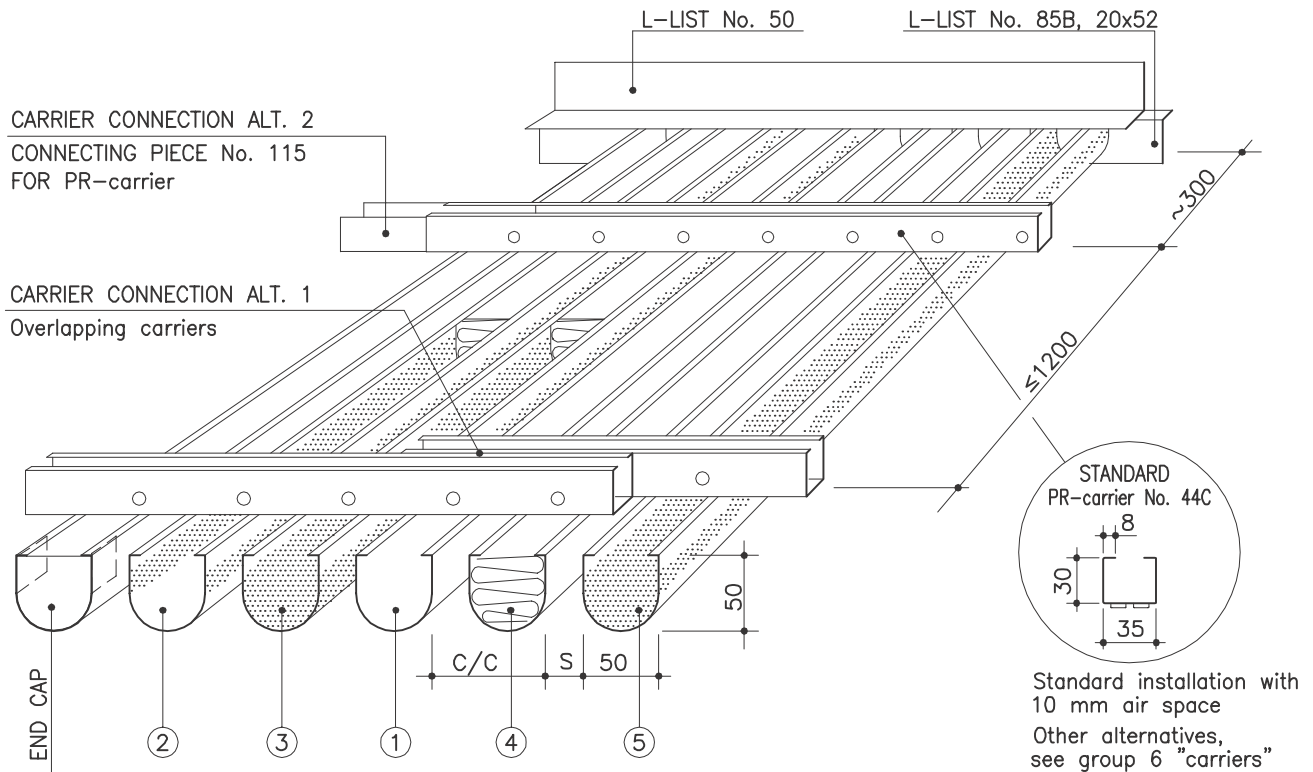


## MARINE PROFILE LAUTEX PR-P



- ① = PR-P; unperforated without acoustic inlay
- ② = PR-PRT; perforated on the sides, with mineral wool in plastic
- ③ = PR-PRT; perforated on the whole area, with mineral wool in plastic
- ④ = PR-PT; unperforated with mineral wool in plastic
- ⑤ = PR-PR; perforated on the sides and/or on the whole area, without acoustic inlay

### PR-P PROFILES / CLASSIFICATION "C"

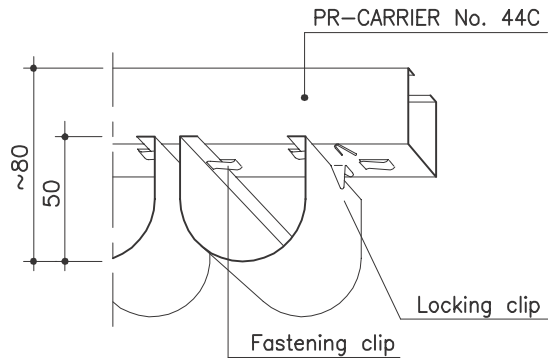
Material	0.7 Al	0.5 Steel
Width	50 mm	
Height	50 mm	
Length	max 6500 mm	
Air spaces	recommended air space = 10 mm also according to order, but $\geq 10$ mm	
Perforation	$\phi$ 2.0/15 %, $\phi$ 1.1/21 % (only AL) other alternatives see group 6 "perforations"	
Inlay	mineral wool in plastic	
Finish	stove enamelled (or anodized) according to any well-known colour chart	
Protective film	the surface is provided with a protective film if required	
Loudspeaker profile	see overleaf	
Downlight unit	see overleaf	
Connection piece	No. 189C see pages 22 & 23	
Curved ceilings	see page 20 & 21 "Curved ceiling and diagonal installation"	
Suspension	see page 19 "Suspension system for profiles"	
Edge lists	see group 6 "Lautex lists" and pages 22 & 23 "Lautex marine profiles typical details"	
Diagonal installation	PR-carrier No. 39C for diagonal installation in 45°, air space according to order but $\geq 10$ mm, see page 20 & 21 "Curved ceiling and diagonal installation"	
Other solutions	please contact our technical information department	

Latest information: [www.lautex.com](http://www.lautex.com)

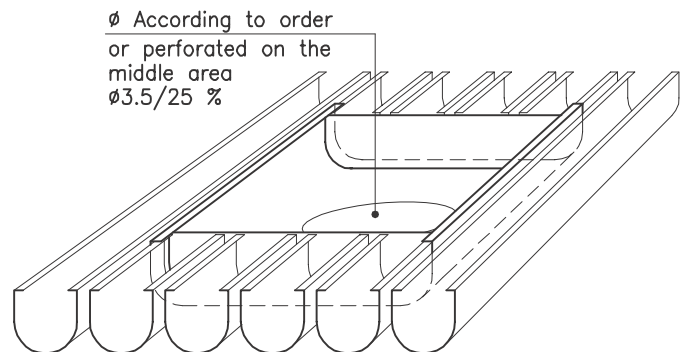
All products are subject to modifications without prior notice

## MARINE PROFILE LAUTEX PR-P INSTALLATION ACCESSORIES

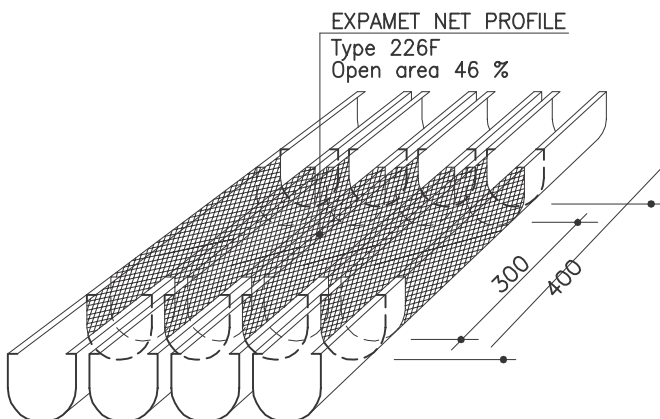
### INSTALLATION WITH AIR SPACE 10 MM



### DOWNLIGHT OR LOUDSPEAKER PROFILE



### LOUDSPEAKER PROFILE



SOLUTION OF PROFILE EXTENSION AND PROFILE CONNECTION TO WALL PLEASE SEE PAGES 22 & 23

### THEORETICAL NEED OF SUSPENSION STRUCTURES

Product	Need of material
Carrier No. 44C	1.2 – 1.6 m/m <sup>2</sup>
Carrier lock	1 pcs / carrier meter
L-list No. 50	0.8 – 1.4 m/m <sup>2</sup>
L-list 20x52	0.8 – 1.4 m/m <sup>2</sup>

### WEIGHT OF PROFILES KG / M<sup>2</sup>

	PR-P	
Material	0.7 Al	0.5 Steel
Weight	4.41	9.33

### WEIGHT OF OTHER CEILING MATERIALS

Product	Weight of material
Mineral wool in plastic	0.52 kg/m <sup>2</sup>
Carrier No. 44C, 39C	0.83 kg/m
Carrier lock	0.08 kg/pcs
L-list No. 50 or 83 (1.5 AL)	0.32 kg/pcs
L-list No. 50 or 83 (1.0 steel)	0.62 kg/pcs
L-list No.85B, 20x52 (1.0 AL)	0.19 kg/pcs

Latest information: [www.lautex.com](http://www.lautex.com)

All products are subject to modifications without prior notice