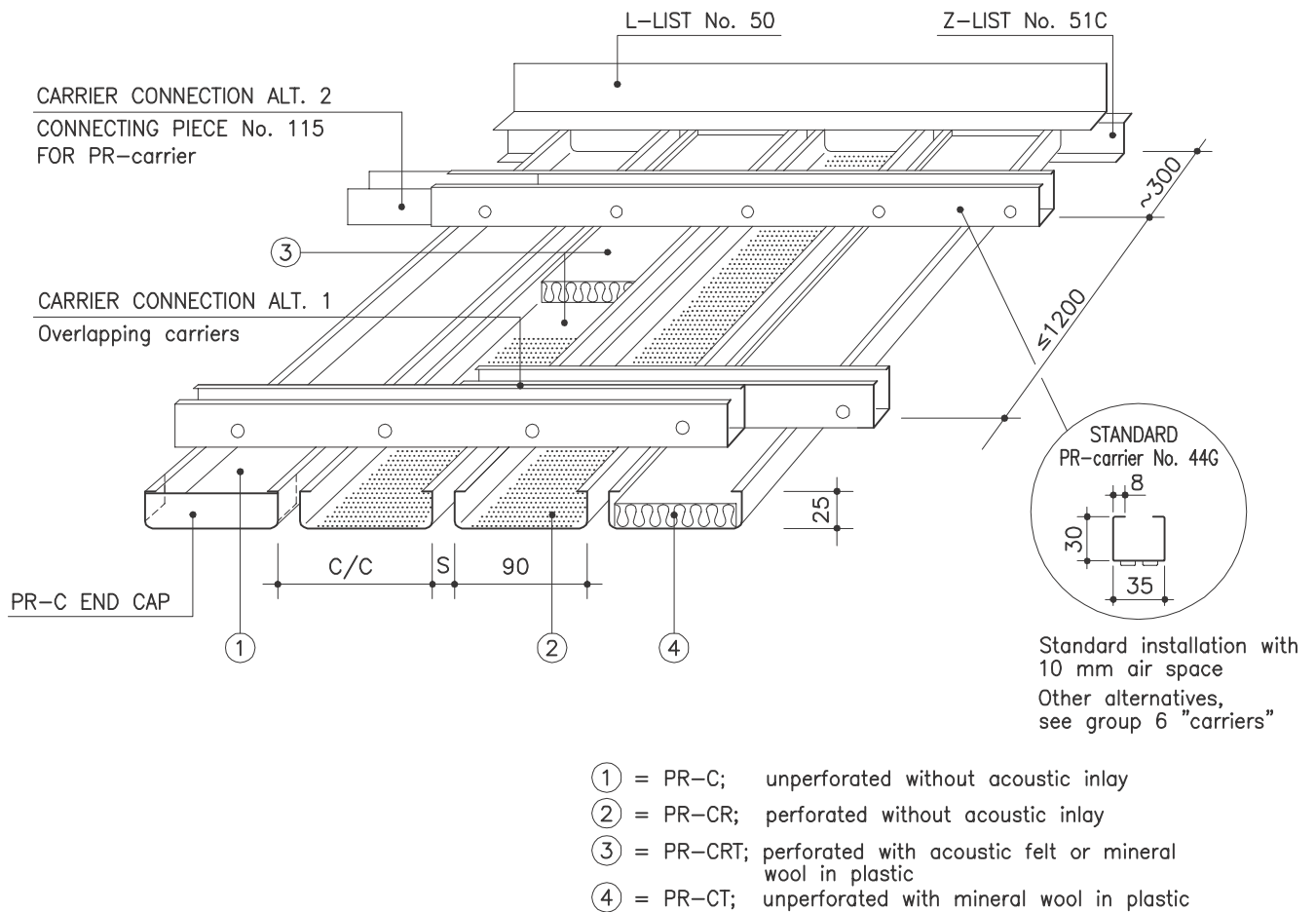


## MARINE PROFILE LAUTEX PR-C



### PR-C PROFILES / CLASSIFICATION "C"

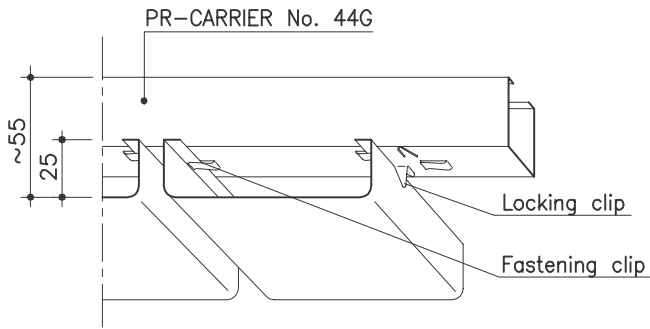
Material	0.5 Al 0.7 Al 0.5 Steel
Width	90 mm
Height	25 mm
Length	max 6500 mm
Air spaces	recommended air space = 10 mm also according to order, but $\geq 10$ mm
Perforation	$\varnothing$ 2.0/15%, other alternatives see group 6 "Perforations"
Inlay	acoustic felt or mineral wool in plastic
Finish	stove enamelled (or anodized) according to any well-known colour chart
Protective film	the surface is provided with a protective film if required
Service hatch	see overleaf
Loudspeaker profile	see overleaf
Downlight unit	see overleaf
Connecting piece	No. 189A see pages 22 & 23
Suspension	see page 19 "Suspension systems for profiles"
Edge lists	see group 6 "Lautex lists" and pages 22 & 23 "Lautex marine profiles typical details"
Diagonal installation	PR-carrier No. 39G for diagonal installation in 45°, air space according to order but $\geq 10$ mm. See page 20 & 21 "Curved ceilings and diagonal installation"
Other solutions	please contact our technical information department

Latest information: [www.lautex.com](http://www.lautex.com)

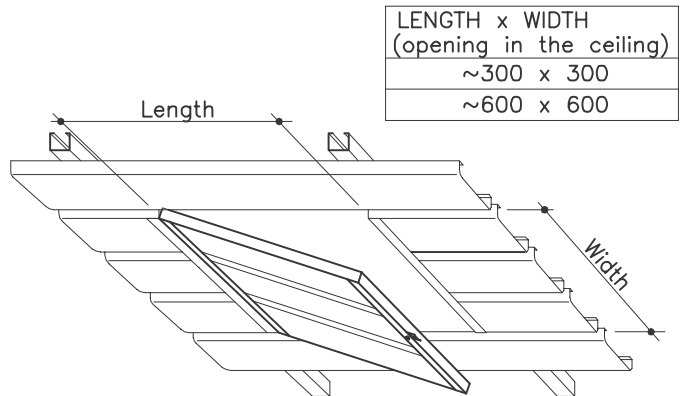
All products are subject to modifications without prior notice

## MARINE PROFILE LAUTEX PR-C INSTALLATION ACCESSORIES

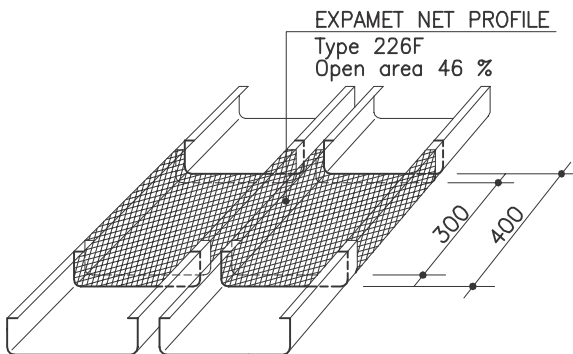
### INSTALLATION WITH AIR SPACE 10 MM



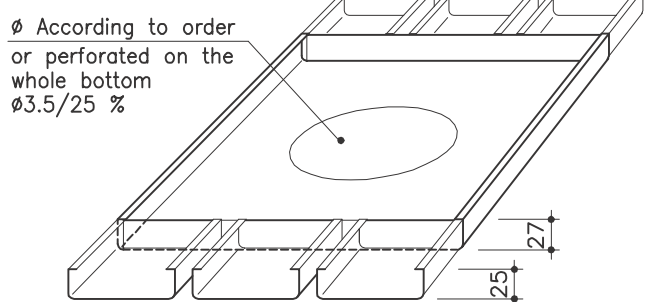
### STANDARD SERVICE HATCHES



### LOUDSPEAKER PROFILE



### DOWNLIGHT OR LOUDSPEAKER PROFILE



SOLUTION OF PROFILE EXTENSION AND PROFILE CONNECTION TO WALL PLEASE SEE PAGES 22 & 23

### THEORETICAL NEED OF SUSPENSION STRUCTURES

Product	Need of material
Carrier No. 44G	1.2 – 1.6 m/m <sup>2</sup>
Carrier lock	1 pcs / carrier meter
L-list No. 50	0.8 – 1.4 m/m <sup>2</sup>
Z-list No. 51C	0.8 – 1.4 m/m <sup>2</sup>

### WEIGHT OF PROFILES KG / M<sup>2</sup>

	PR-C		
Material	0.5 Al	0.7 Al	0.5 Steel
Weight	1.89	2.65	5.60

### WEIGHT OF OTHER CEILING MATERIALS

Product	Weight of material
Mineral wool in plastic	0.52 kg/m <sup>2</sup>
Carrier No. 44G	0.83 kg/m
Carrier lock	0.08 kg/pcs
L-list No. 50 or 83 (1.5 Al)	0.32 kg/m
L-list No. 50 or 83 (1.0 Steel)	0.62 kg/m
Z-list No. 51C (1.0 Al)	0.16 kg/m

Latest information: [www.lautex.com](http://www.lautex.com)

All products are subject to modifications without prior notice