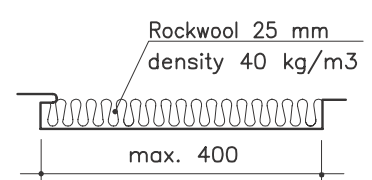
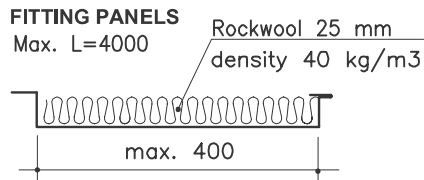
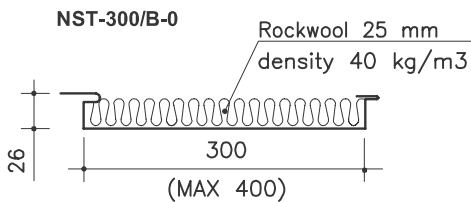
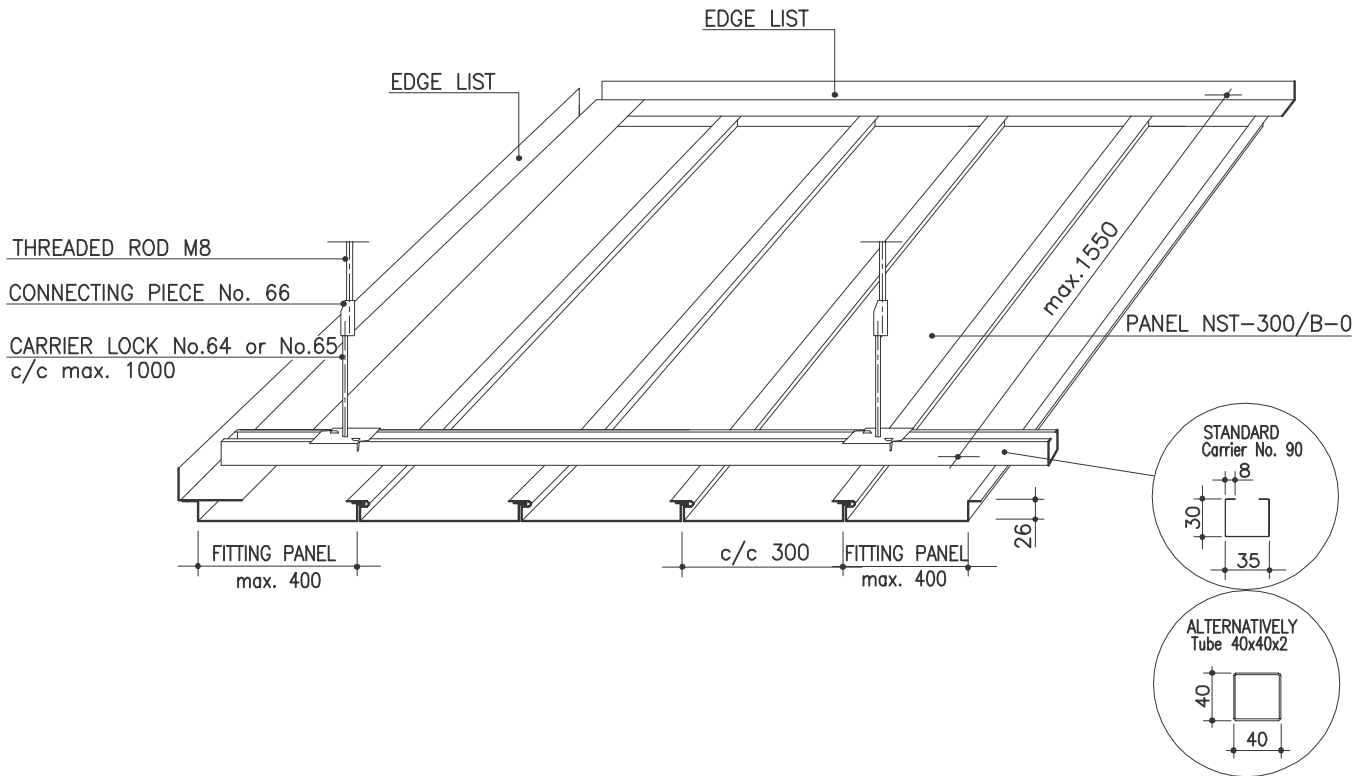


MARINE PANEL LAUTEX NST-300 / B-0 / A-30 DECK



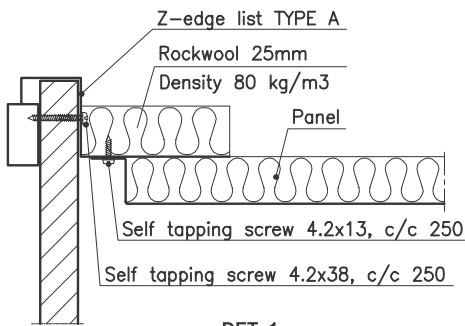
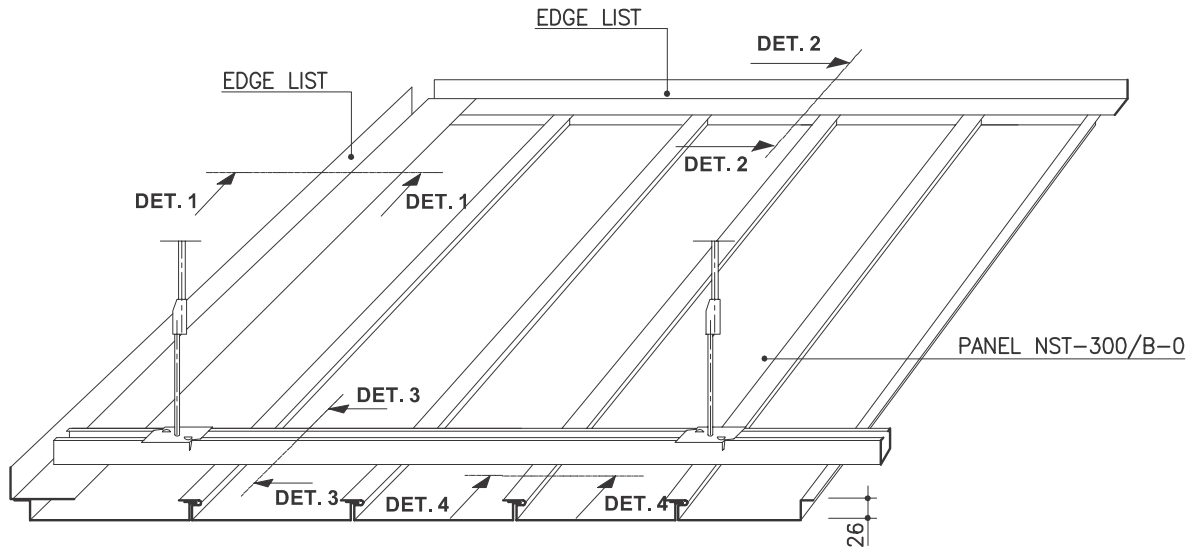
NST-300 PANELS / CLASSIFICATION "B-0"

Material	0.6 mm steel
Width	300 mm
Height	26 mm
Length	max. 6500 mm
Insulation	rockwool, density 40 kg/m ³ , s=25 mm
Extra rockwool	rockwool, density 80 kg/m ³ , s=25 mm
Finish	stove enamelled according to any well-known colour chart
Protective film	the surface is provided with a protective film if required
End bendings	standard for straight cut ends
Other special solutions	please contact our technical information department

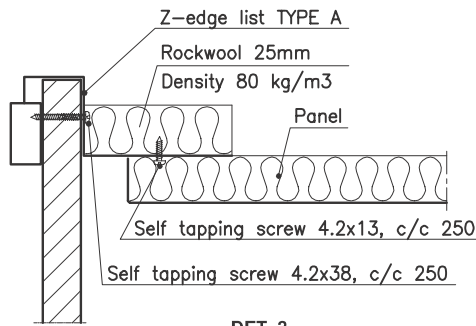
Latest information: www.lautex.com

All products are subject to modifications without prior notice

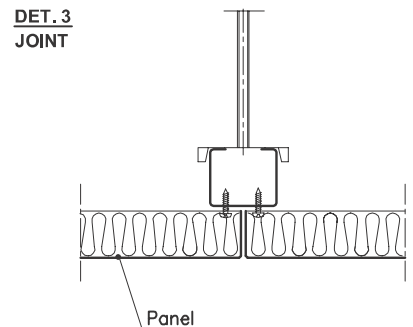
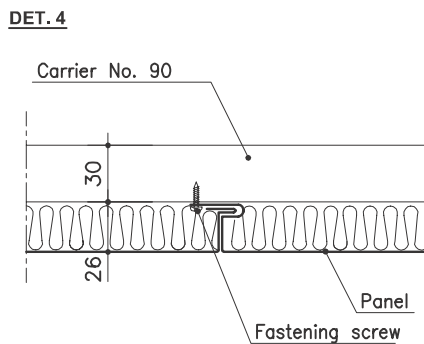
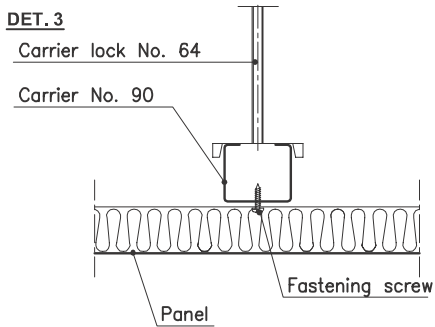
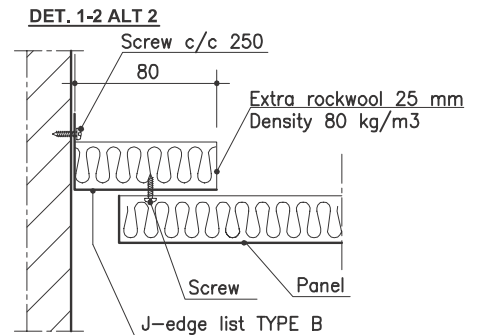
MARINE PANEL LAUTEX NST-300 / B-0 / A-30 DECK



DET. 1



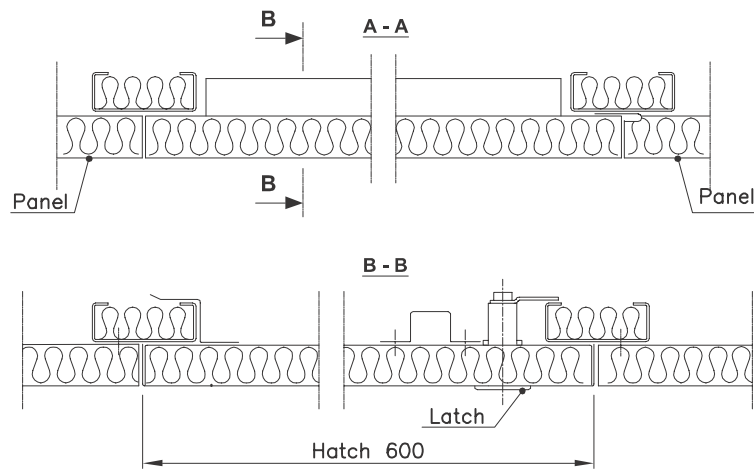
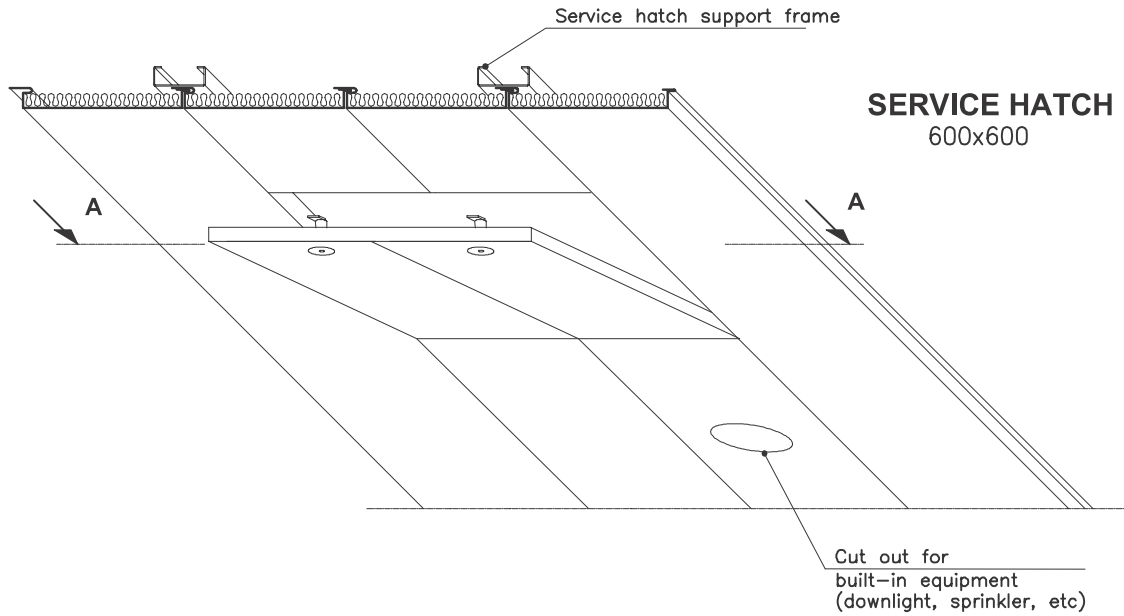
DET. 2



Latest information: www.lautex.com

All products are subject to modifications without prior notice

MARINE PANEL LAUTEX NST-300 / B-0 / A-30 DECK

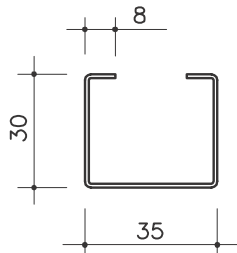


Latest information: www.lautex.com

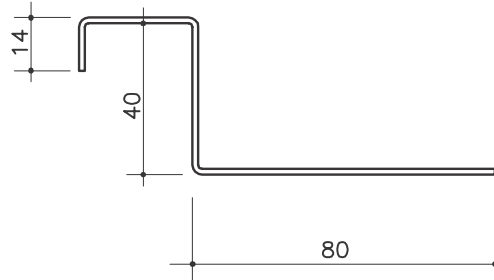
All products are subject to modifications without prior notice

MARINE PANEL LAUTEX NST-300 / B-0 ACCESSORIES

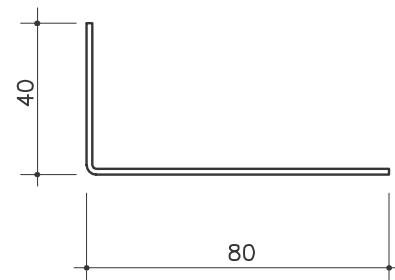
No. 90 CARRIER



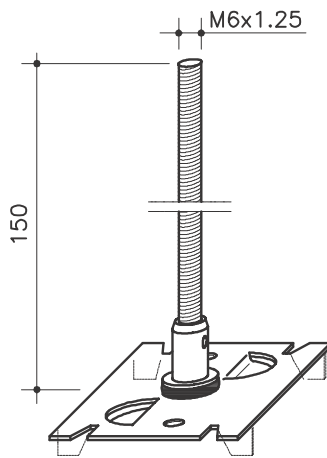
CEILING EDGE LIST No.86
TYPE A
Fe 1.5



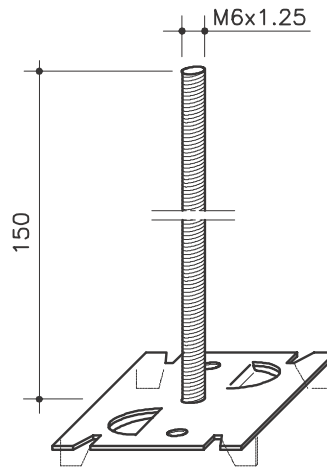
CEILING EDGE LIST No.86
TYPE B
Fe 1.5



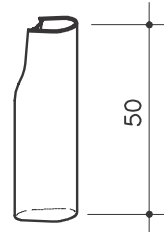
No. 65. CARRIER LOCK
VIBRATION INSULATED



No. 64. CARRIER LOCK



No. 66. CONNECTING PIECE



THEORETICAL NEED OF SUSPENSION STRUCTURES

Product	Need of material
Carrier No. 90	1.0 – 0.7 m/m ²
Carrier lock	1 pcs / carrier meter
Ceiling edge list No.86	0.8 – 1.4 m/m ²
Screw 4.2x13 No.75	~8 pcs/m ²

WEIGHT OF PANELS KG / M²

	NST-300/B-0
Material	0.6 steel
Weight	7.64 kg

WEIGHT OF OTHER CEILING MATERIALS

Extra rockwool, density 80 kg/m ³	2.0 kg/m ²
Carrier No. 90	0.83 kg/m
Carrier lock	0.08 kg/pcs

Latest information: www.lautex.com

All products are subject to modifications without prior notice