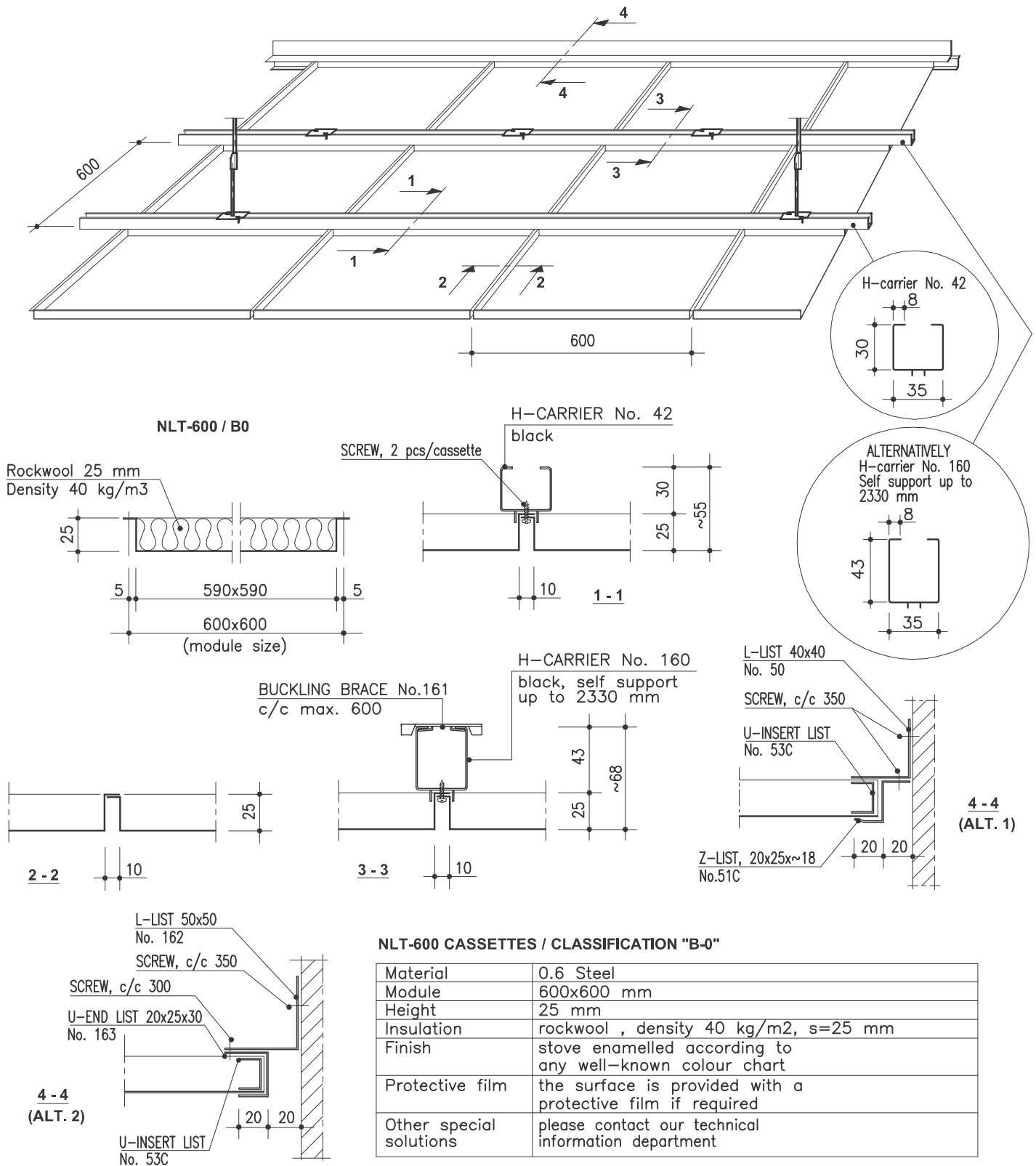


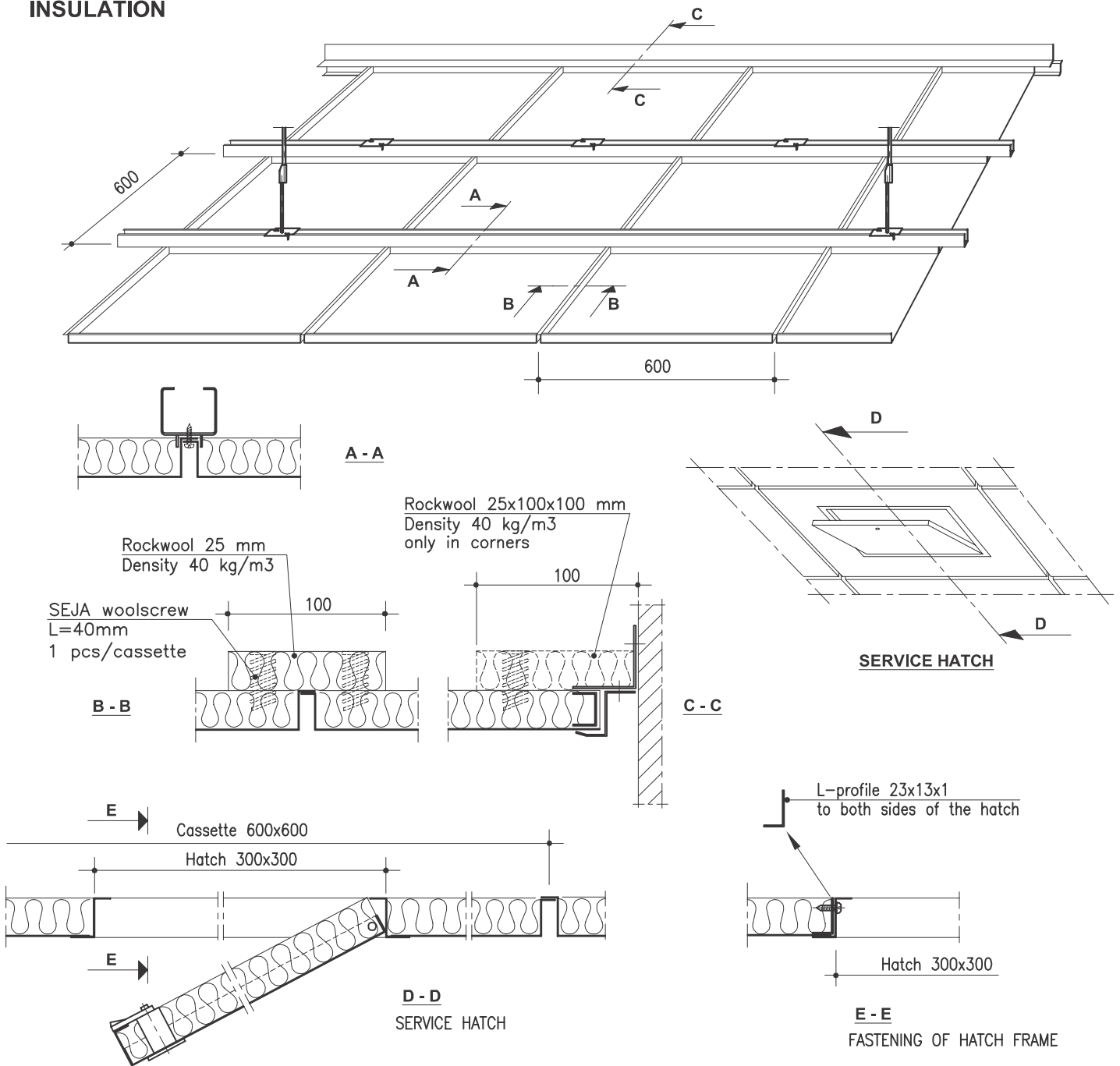
MARINE CASSETTE LAUTEX NLT-600 / B-0 / A-15 DECK



Latest information: www.lautex.com

All products are subject to modifications without prior notice

MARINE CASSETTE LAUTEX NLT-600 / B-0 / A-15 DECK INSULATION



THEORETICAL NEED OF SUSPENSION STRUCTURES

Product	Need of material
Carrier No. 42	1.8 m/m ²
L-list No. 50	0.8-1.4 m/m ²
Z-list No. 51C	0.8-1.4 m/m ²

WEIGHT OF CEILING

Cassette	NL-600
Material	0.6 steel
Weight	6.6 Kg/m ²

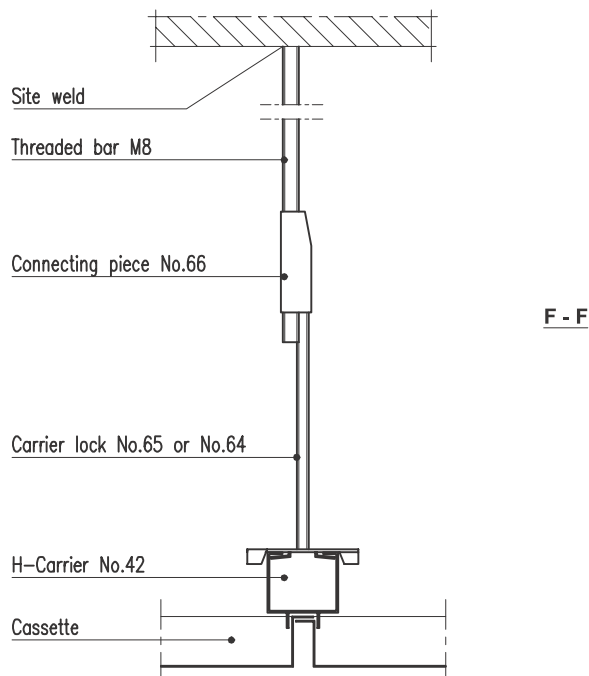
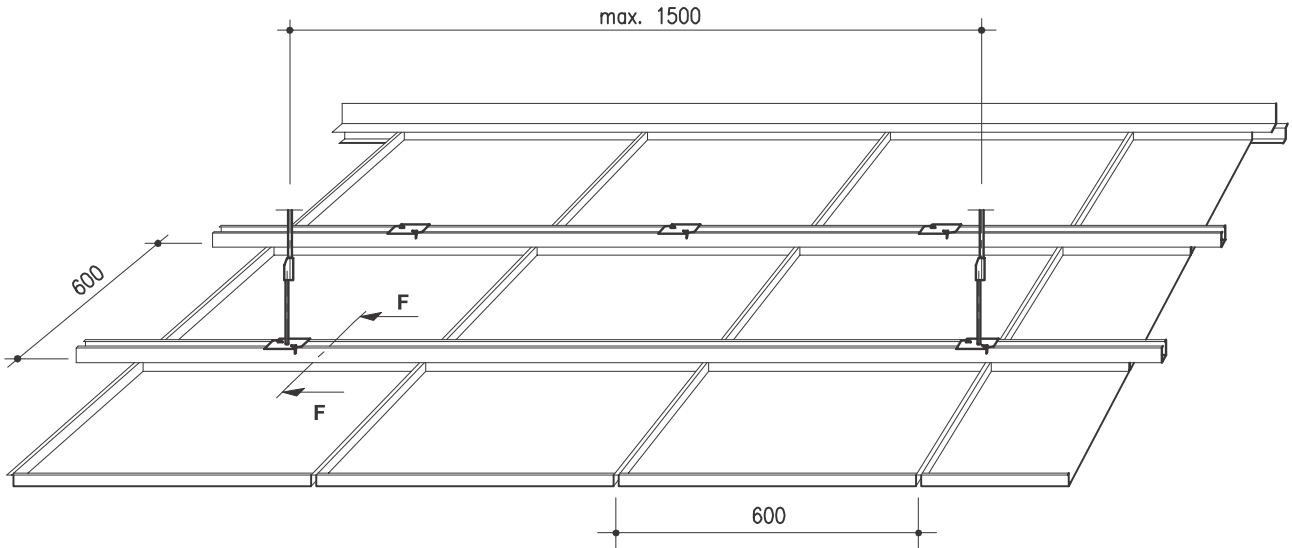
WEIGHT OF OTHER CEILING MATERIALS

Product	Weight of material
Carrier No. 42 (1.0 steel)	0.83 kg/m
Carrier No. 160 (1.0 steel)	1.04 kg/m
L-List No. 50 (1.0 steel)	0.64 kg/m
L-List No. 162 (1.0 steel)	0.80 kg/m
Z-list No. 51C (1.0 steel)	0.52 kg/m
U-List No. 163 (1.0 steel)	0.59 kg/m

Latest information: www.lautex.com

All products are subject to modifications without prior notice

MARINE CASSETTE LAUTEX NLT-600 / B-0 / A-15 DECK SUSPENSION

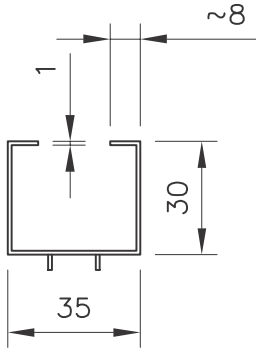


Latest information: www.lautex.com

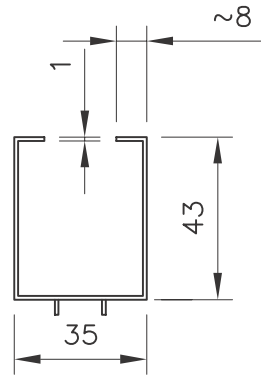
All products are subject to modifications without prior notice

MARINE CASSETTE LAUTEX NLT-600 / B-0 / A-15 DECK

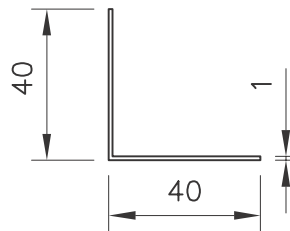
ACESSORIES



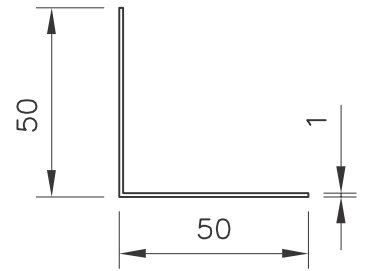
H-Carrier No.42



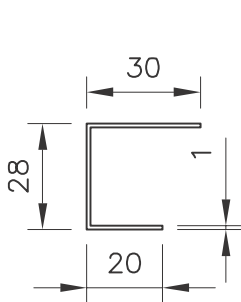
H-Carrier No.160



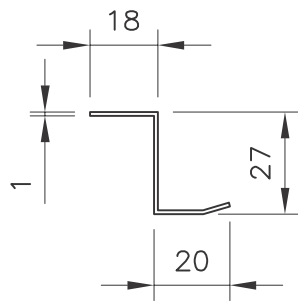
L-List No.50



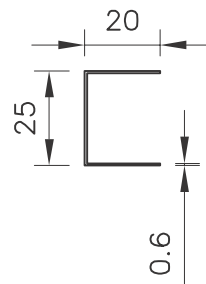
L-List No.162



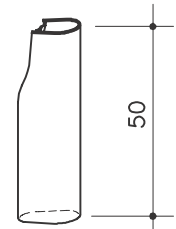
U-List No.163



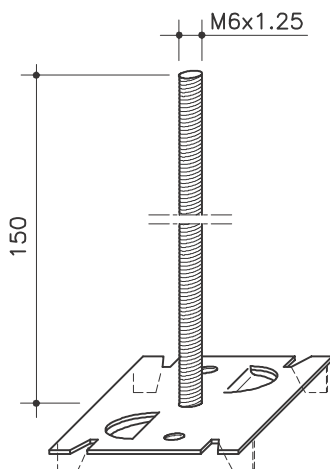
Z-List No.51C



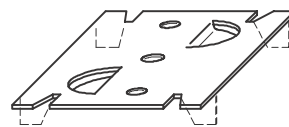
U-Insert List No.53C



Connecting piece No.66



Carrier lock No.64 or No.65



Buckling brace No.160

Latest information: www.lautex.com

All products are subject to modifications without prior notice