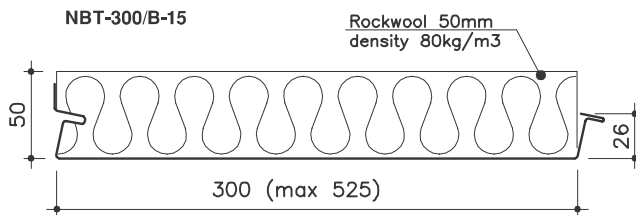
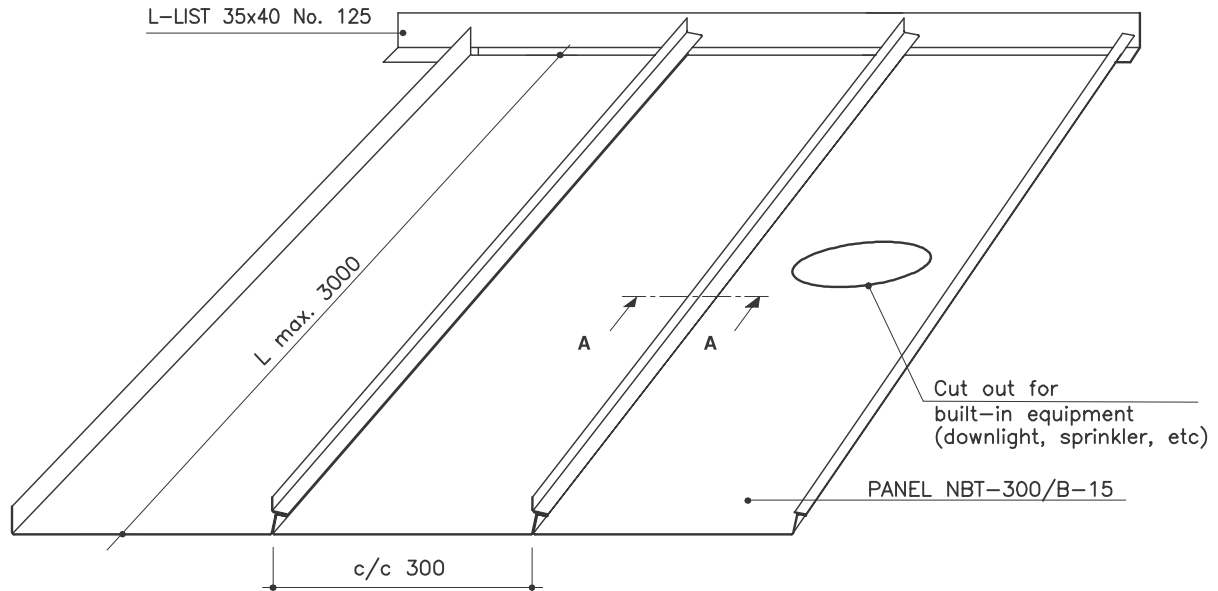
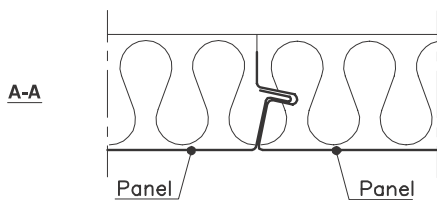
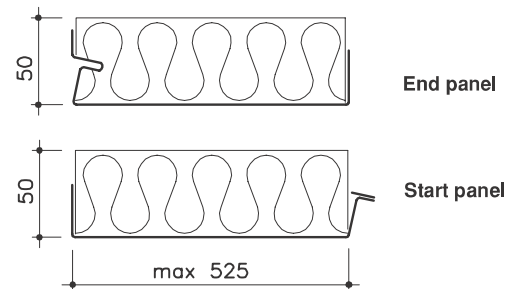


## MARINE PANEL LAUTEX NBT-300 / B-15 / A-30 DECK



NBT-fitting panels/B-15



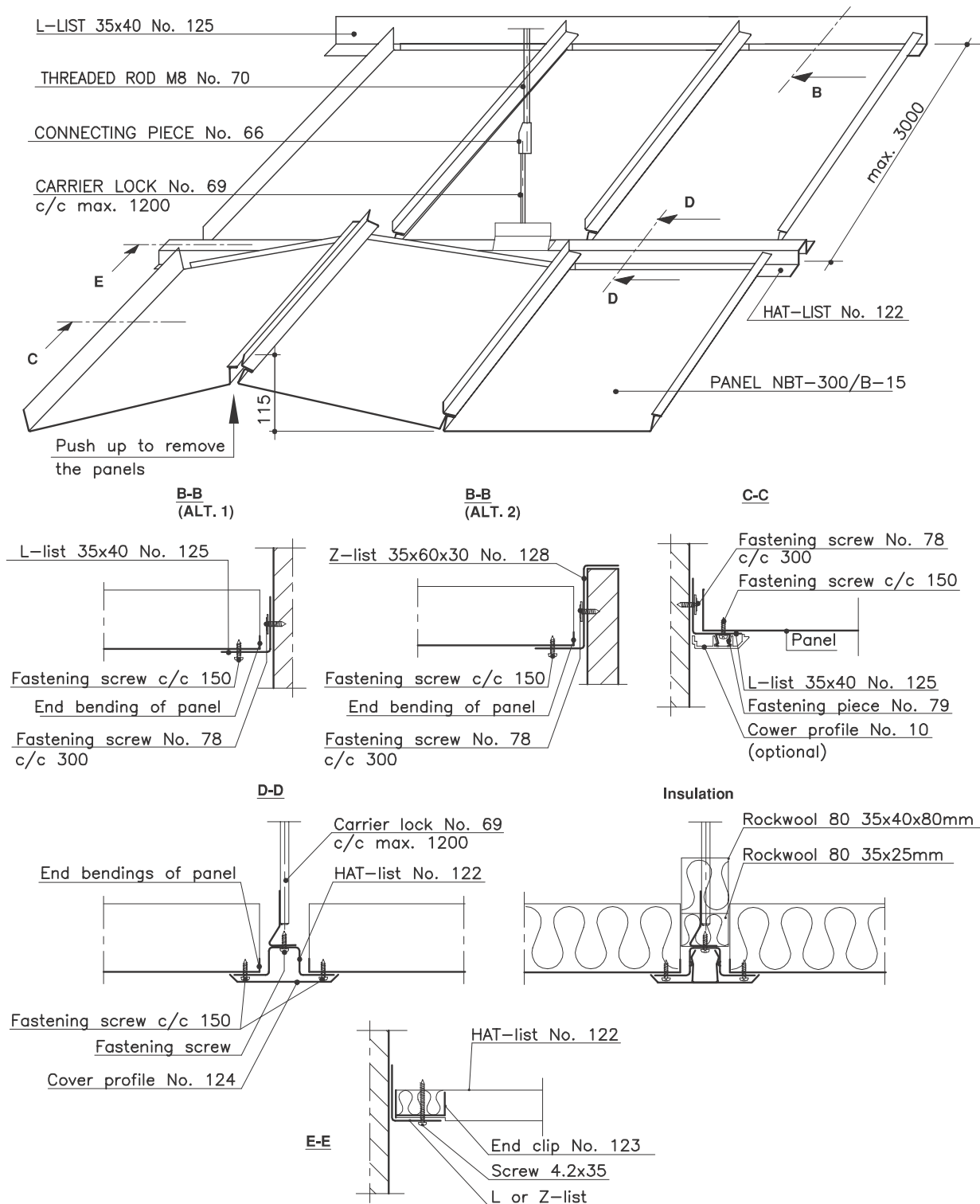
### NBT-300 PANELS / CLASSIFICATION "B-15"

|                         |  |
|-------------------------|--|
| Material                | 0.6 Steel (0.7 Steel 525 width)                          |
| Width                   | 300 mm, fittings max 525mm                               |
| Height                  | 50 mm  |
| Length                  | max 3000 mm  |
| Insulation              | rockwool, density 80 kg/m <sup>3</sup> , s=50            |
| Finish                  | stove enamelled according to any well-known colour chart |
| Protective film         | the surface is provided with a protective film           |
| End bendings            | standard   |
| Other special solutions | please contact our technical information department      |

Latest information: [www.lautex.com](http://www.lautex.com)

All products are subject to modifications without prior notice

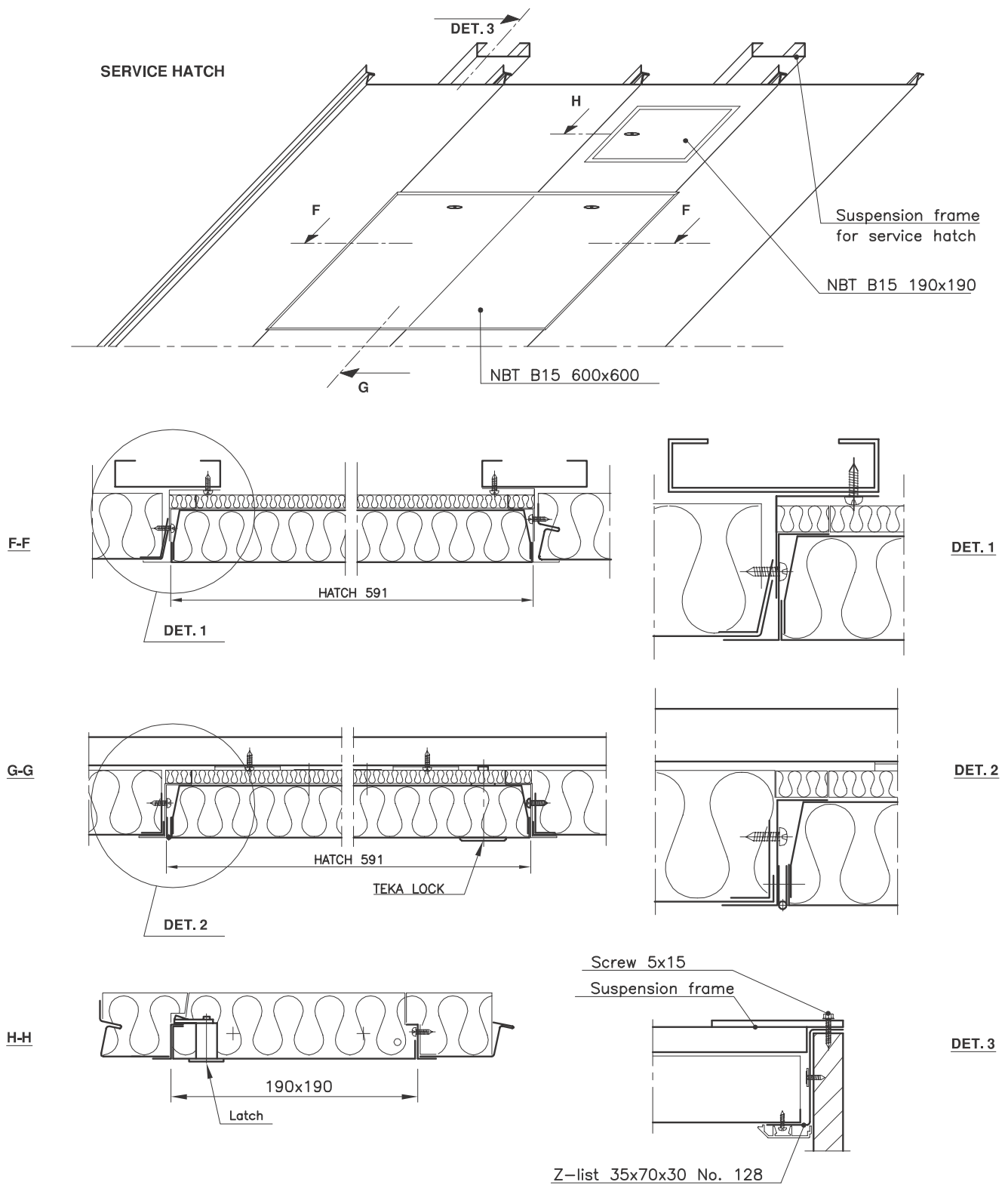
## MARINE PANEL LAUTEX NBT-300 / B-15 / A-30 DECK



Latest information: [www.lautex.com](http://www.lautex.com)

All products are subject to modifications without prior notice

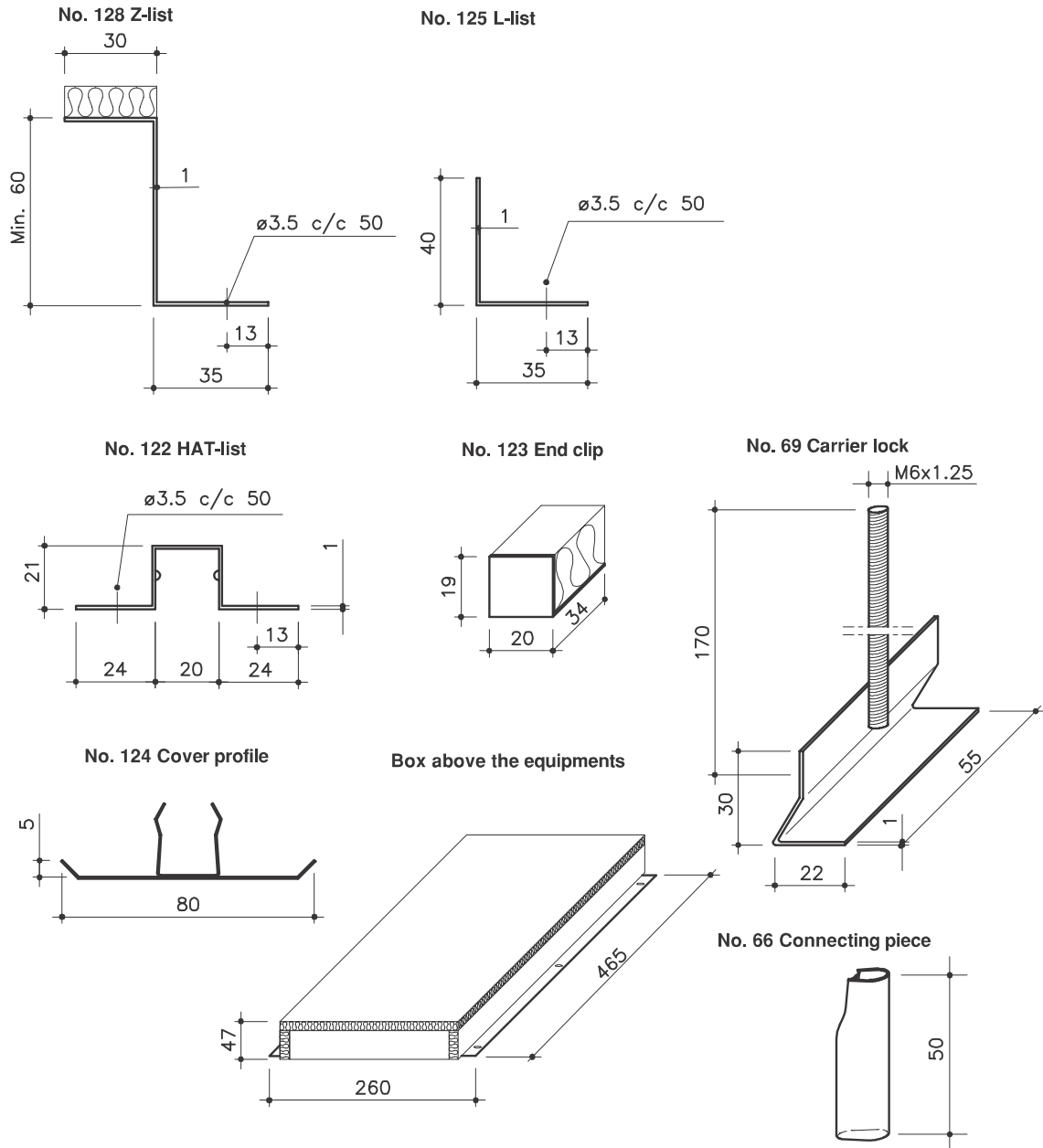
## MARINE PANEL LAUTEX NBT-300 / B-15 / A-30 DECK



Latest information: [www.lautex.com](http://www.lautex.com)

All products are subject to modifications without prior notice

## MARINE PANEL LAUTEX NBT-300 / B-15 / A-30 DECK ACCESSORIES



### THEORETICAL NEED OF SUSPENSION STRUCTURES

| Product            | Need of material           |
|--------------------|----------------------------|
| L-list No. 125     | 0.8 - 1.4 m/m <sup>2</sup> |
| Z-list No. 126     | 0.8 - 1.4 m/m <sup>2</sup> |
| Screw 4.2x13 No.75 | ~17 pcs /m <sup>2</sup>    |

### WEIGHT OF PANELS KG / M<sup>2</sup>

|          |                         |
|----------|-------------------------|
| Panel    | NBT-300/B-15            |
| Material | 0.6 steel               |
| Weight * | 10.65 kg/m <sup>2</sup> |

### WEIGHT OF OTHER CEILING MATERIALS

|                              |             |
|------------------------------|-------------|
| Carrier lock                 | 0.03 kg/pcs |
| L-list No. 125 (1.0 steel)   | 0.60 kg/m   |
| Z-list No. 126 (1.0 steel)   | 1.00 kg/m   |
| HAT-list No. 122 (1.0 steel) | 0.90 kg/m   |
| Support profile (1.5 steel)  | 1.68 kg/m   |

Latest information: [www.lautex.com](http://www.lautex.com)

All products are subject to modifications without prior notice