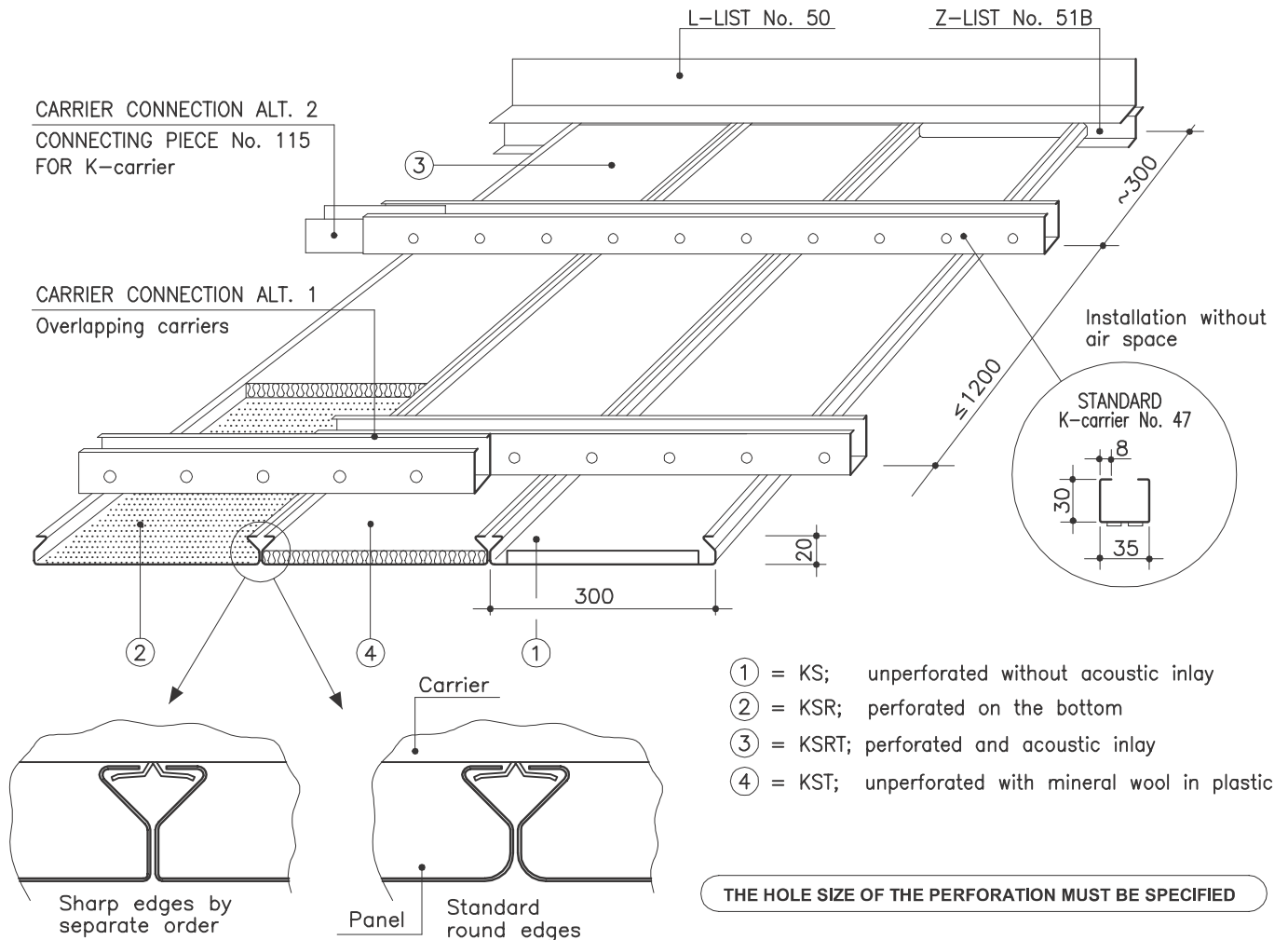


MARINE PANEL LAUTEX KS-300



KS-300 PANELS / CLASSIFICATION "C"

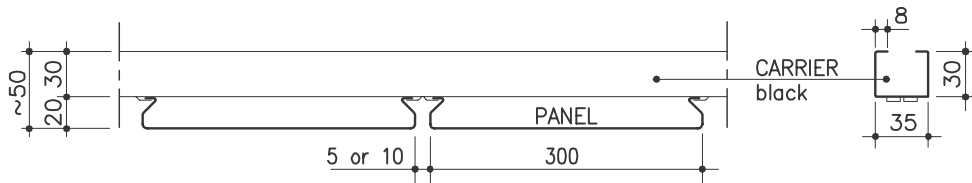
Material	0.7 Al, 0.6 steel
Width	300 mm
Height	20 mm
Length	max 6500 mm
Perforation	Ø3.5/25% mm, other alternatives see group 6 "Perforations"
Inlay	mineral wool in plastic or acoustic felt
Finish	stove enamelled (or anodized) according any well-known colour chart
Ventilation	installation with air space 5 or 10 mm, also according to order, min. 4 mm (see overleaf)
Protective film	the surface is provided with a protective film if required
End bendings	standard
Service hatch	see overleaf
Loudspeaker panel	see overleaf
Downlight unit	see overleaf
Connecting piece	No. 112B see page 28
Suspension	see "Suspension systems for panels" page 27
Edge lists	see group 6 "Lautex lists" and page 28 "Lautex marine panels typical details"
Other solutions	please contact our technical information department

Latest information: www.lautex.com

All products are subject to modifications without prior notice

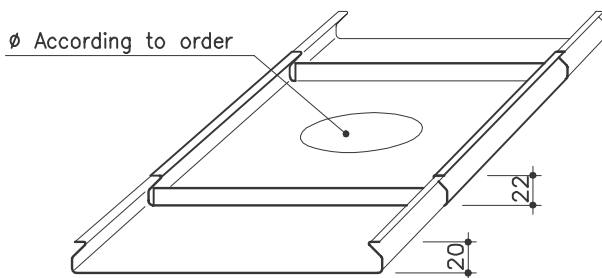
MARINE PANEL LAUTEX KS-300 INSTALLATION ACCESSORIES

INSTALLATION WITH AIR SPACE 5 AND 10 MM (ALSO ACCORDING TO ORDER; MIN. 4 MM)

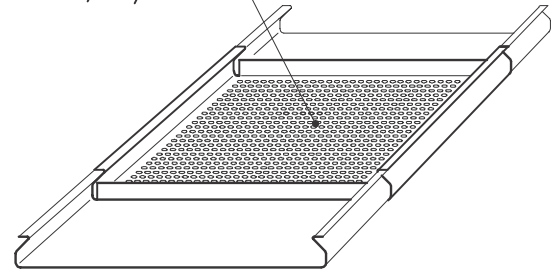


CARRIER No.	PANEL'S WIDTH	c/c
45G	300	305
45H	300	310
45X	300	X

DOWNLIGHT OR LOUDSPEAKER PANEL

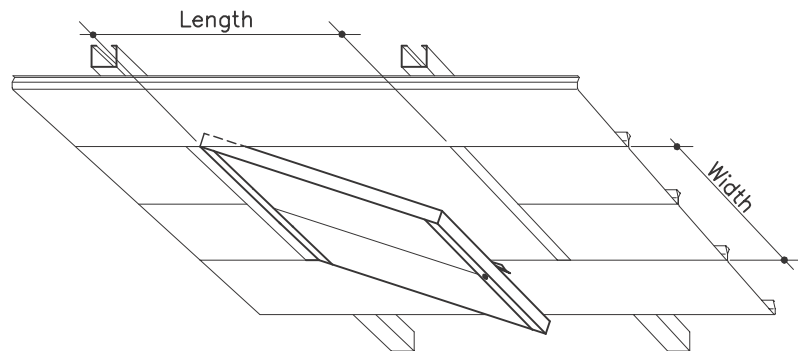


Perforated on the whole bottom $\varnothing 3.5/25\%$



STANDARD SERVICE HATCHES

LENGTH x WIDTH (opening in the ceiling)
300 x 300
600 x 600



SOLUTIONS OF PANEL EXTENSION AND PANEL CONNECTION TO WALL PLEASE SEE PAGE 28

THEORETICAL NEED OF SUSPENSION STRUCTURES

Product	Need of material
Carrier No. 45, 47	1.2 - 1.6 m/m ²
Carrier lock	1 pcs/carrier meter
L-list No. 50	0.8 - 1.4 m/m ²
Z-list No. 51B	0.8 - 1.4 m/m ²

WEIGHT OF PANELS KG / M²

	KS-300	
Material	0.7 Al	0.6 steel
Weight	2.21	5.60

WEIGHT OF OTHER CEILING MATERIALS

Product	Weight of material
Mineral wool in plastic	0.52 kg/m ²
Carrier No. 45 or 47	0.83 kg/m
Carrier lock	0.08 kg/pcs
L-list No. 50 or 83 (1.5 Al)	0.32 kg/m
L-list No. 50 or 83 (1.0 Steel)	0.62 kg/m
Z-list No. 51B (1.0 Al)	0.15 kg/m

Latest information: www.lautex.com

All products are subject to modifications without prior notice