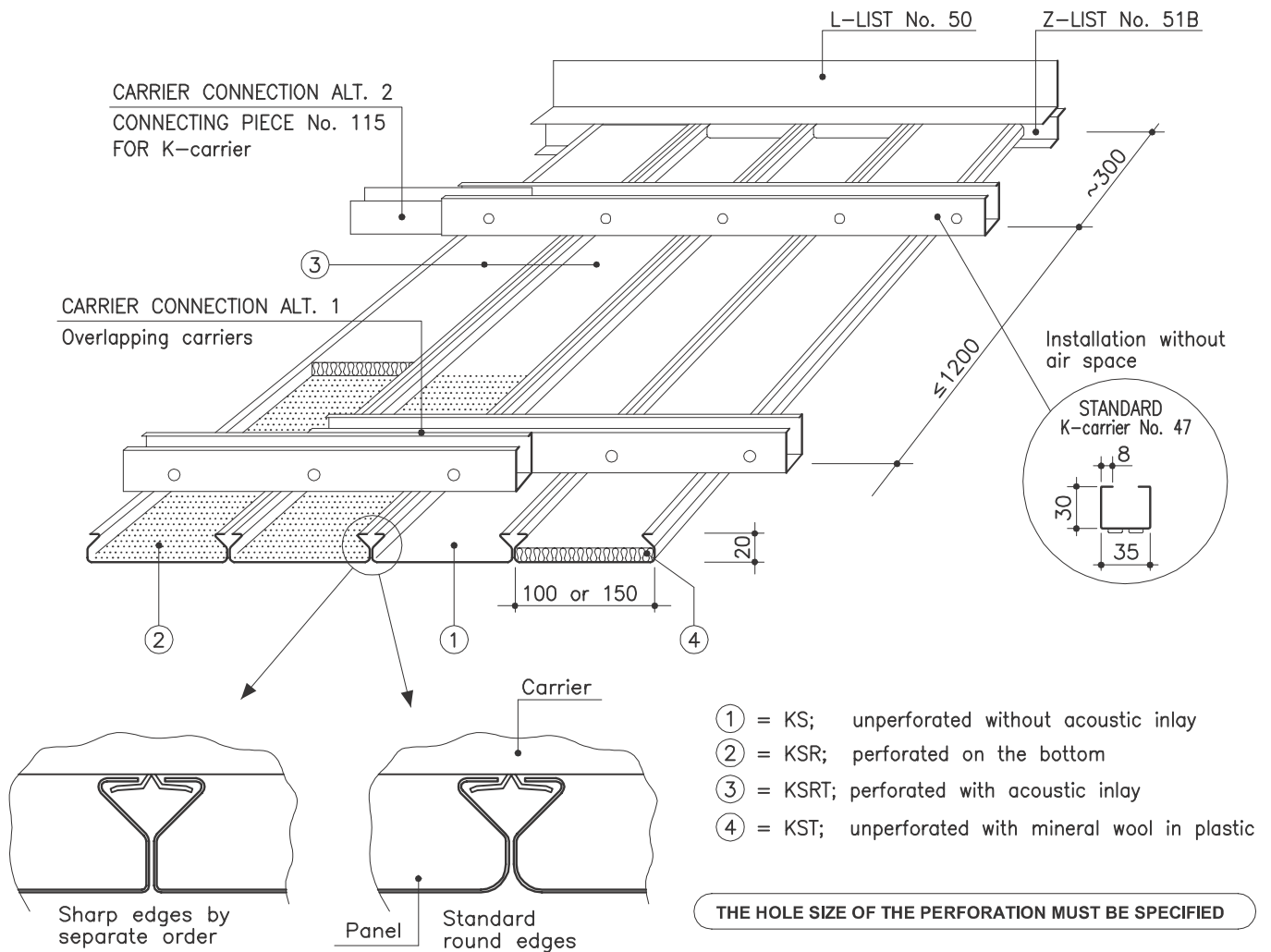


MARINE PANEL LAUTEX KS-100 AND -150



KS-100 AND KS-150 PANELS / CLASSIFICATION "C"

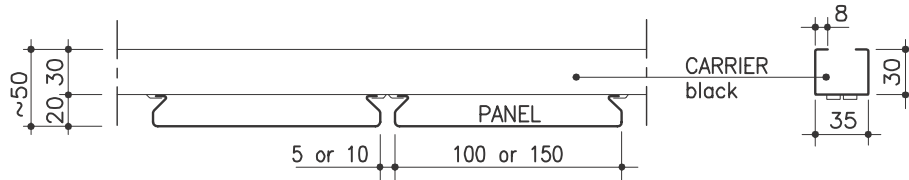
Material	0.5 Al	0.5 steel	0.5 Al	0.7 Al	0.5 steel
Width	100 mm		150 mm		
Height	20 mm				
Length	max 6500 mm				
Perforation	ø 2.0/15 %, other alternatives see group 6 "perforations"				
Inlay	mineral wool in plastic or acoustic felt				
Finish	stove enamelled (or anodized) according any well-known colour chart				
Ventilation	installation with air space 5 or 10 mm, also according to order, min. 4 mm (see overleaf)				
Protective film	the surface is provided with a protective film if required				
Service hatch	see overleaf				
Loudspeaker panel	see overleaf				
Downlight unit	see overleaf				
Connecting splice	KS-100 No. 181L, KS-150 No. 181N see page 28				
Suspension	see "Suspension systems for panels", page 27				
Edge lists	see group 6 "Lists" and page 28 "Lautex marine panels typical details"				
Other solutions	please contact our technical information department				

Latest information: www.lautex.com

All products are subject to modifications without prior notice

MARINE PANEL LAUTEX KS-100 AND -150 INSTALLATION ACCESSORIES

INSTALLATION WITH AIR SPACE 5 AND 10 MM (ALSO ACCORDING TO ORDER; MIN. 4 MM)

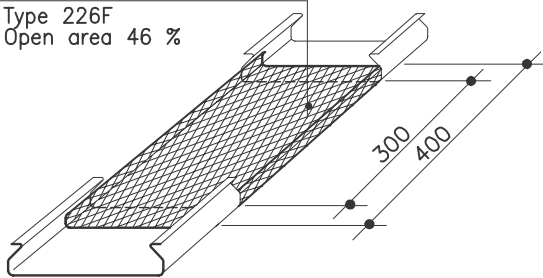


CARRIER No.	PANEL'S WIDTH	c/c
45A	100	105
45B	100	110
45C	150	155
45D	150	160
45X	100	X
45X	150	X

LOUDSPEAKER PANEL

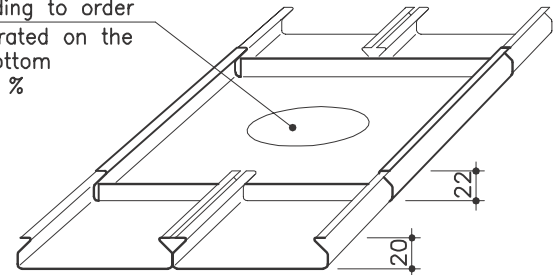
EXPAMET NET PANEL

Type 226F
Open area 46 %



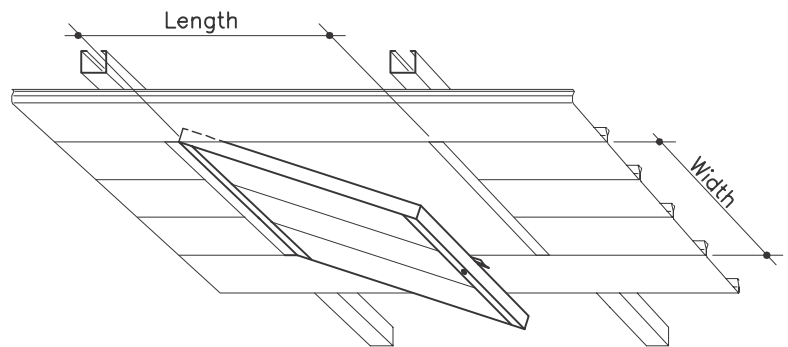
DOWNLIGHT OR LOUDSPEAKER PANEL

Ø According to order
or perforated on the
whole bottom
Ø3.5/25 %



STANDARD SERVICE HATCHES

LENGTH x WIDTH (opening in the ceiling)
300 x 300
600 x 600



SOLUTIONS OF PANEL EXTENSION AND PANEL CONNECTION TO WALL PLEASE SEE PAGE 28

THEORETICAL NEED OF SUSPENSION STRUCTURES

Product	Need of material
Carrier No. 45, 47	1.2 – 1.6 m/m ²
Carrier lock	1 pcs/carrier meter
L-list No. 50	0.8 – 1.4 m/m ²
Z-list No. 51B	0.8 – 1.4 m/m ²

WEIGHT OF PANELS KG / M²

Material	KS-100		KS-150		
	0.5 Al	0.5 steel	0.5 Al	0.7 Al	0.5 steel
Weight	2.03	6.00	1.80	2.52	5.33

WEIGHT OF OTHER CEILING MATERIALS

Product	Weight of material
Mineral wool in plastic	0.52 kg/m ²
Carrier No. 45 or 47	0.83 kg/m
Carrier lock	0.08 kg/pcs
L-list No. 50 or 83 (1.5 Al)	0.32 kg/m
L-list No. 50 or 83 (1.0 Steel)	0.62 kg/m
Z-list No. 51B (1.0 Al)	0.15 kg/m

Latest information: www.lautex.com

All products are subject to modifications without prior notice