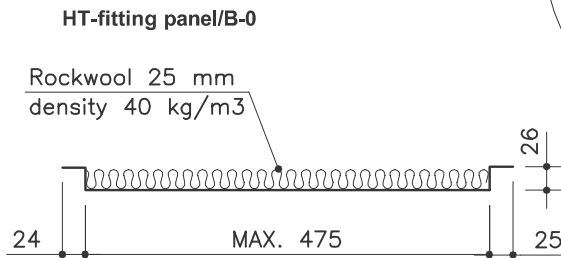
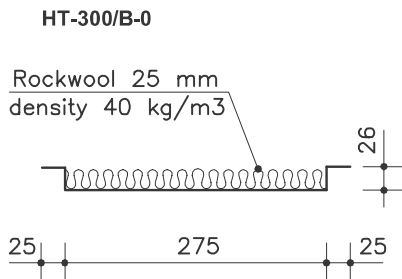
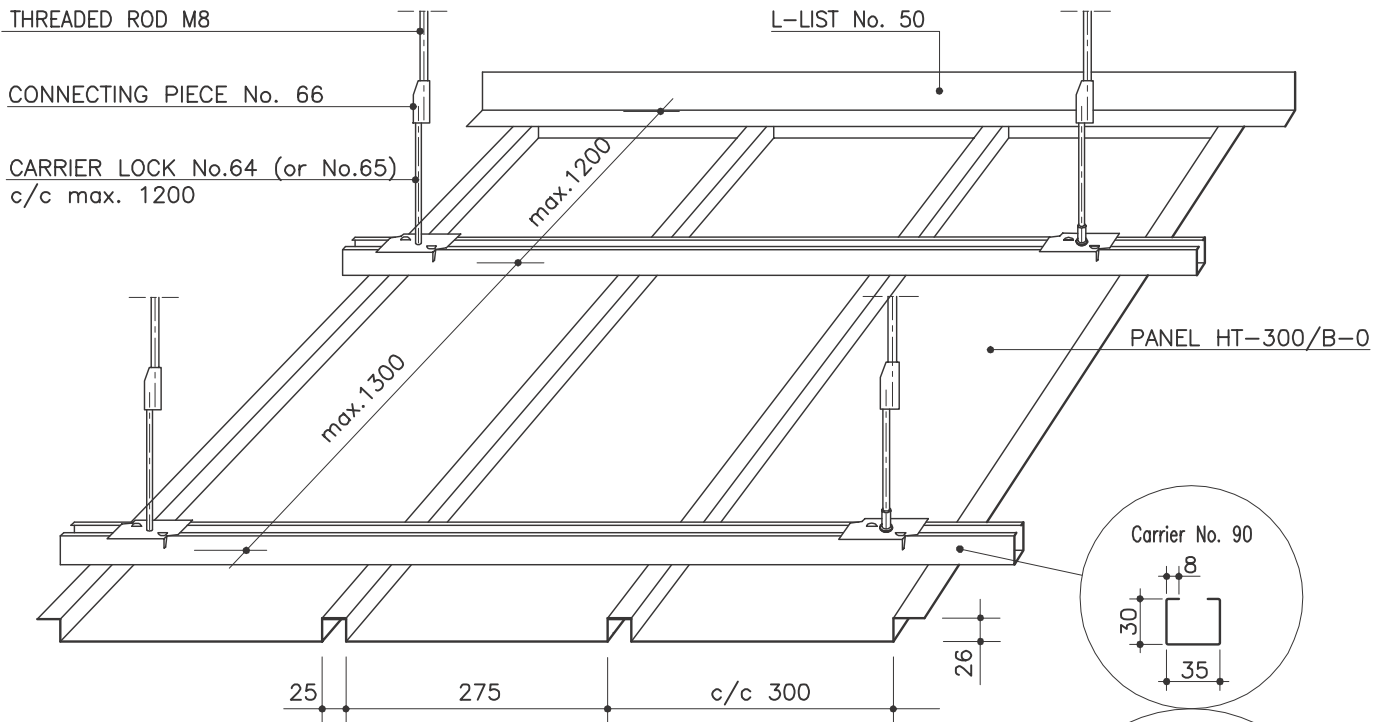


MARINE PANEL LAUTEX HT-300 / B-0 / A-15 DECK



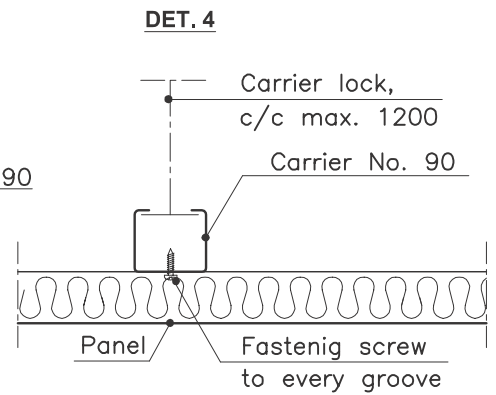
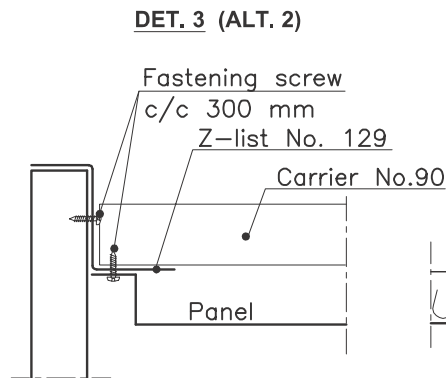
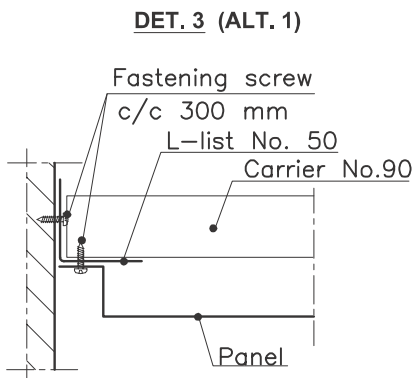
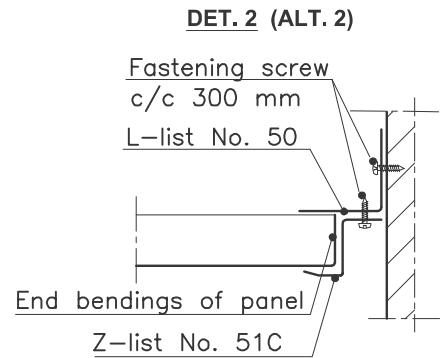
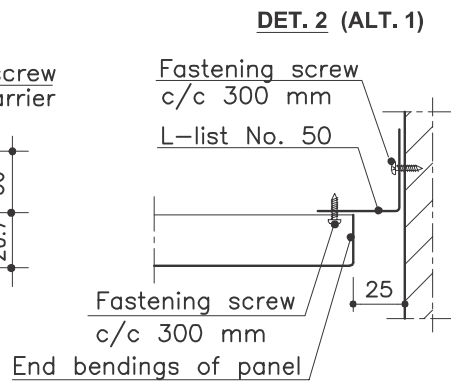
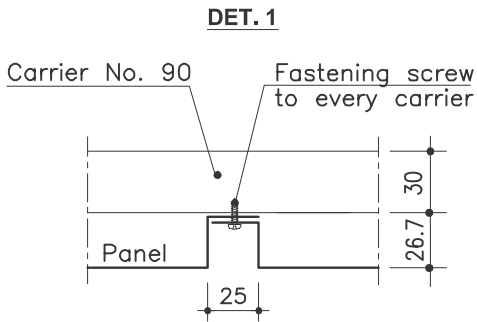
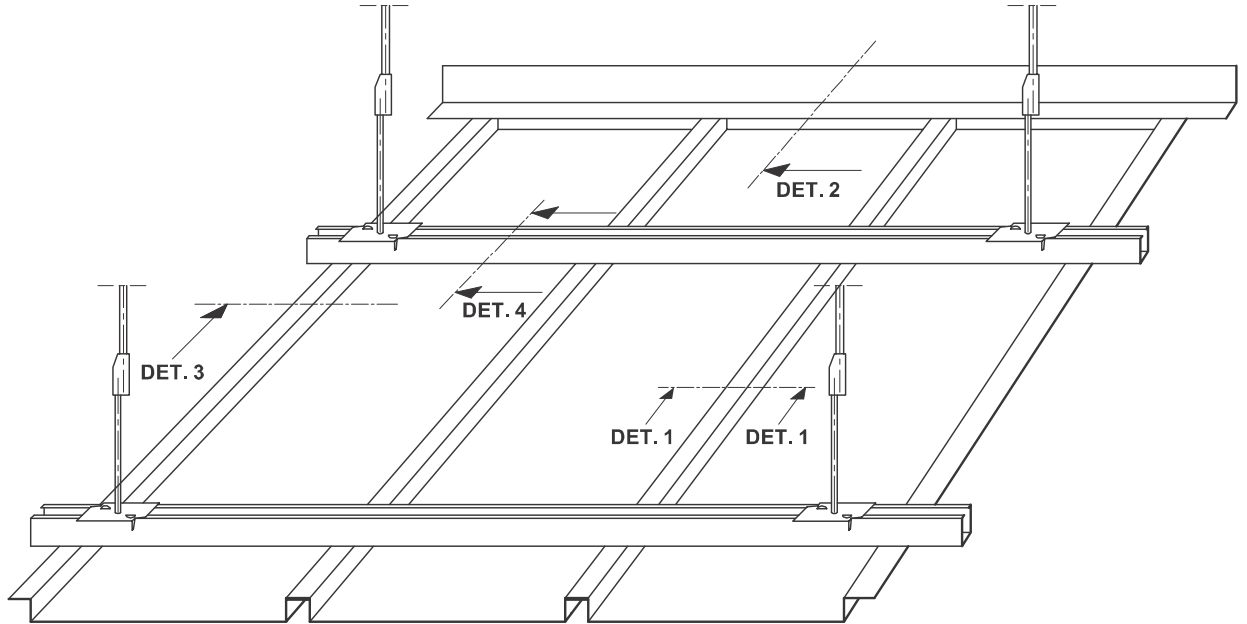
HT-300 PANELS / CLASSIFICATION "B-0"

Material	0.6 mm Steel
Width	200 mm, 300 mm, fittings max 500 mm
Height	26 mm
Length	max 6500 mm, fittings max 4000mm
Insulation	rockwool, density 40 kg/m ³ , s=25 mm
Finish	stove enamelled according to any well-known colour chart
Protective film	the surface is provided with a protective film
End bendings	standard
Other special solutions	please contact our technical information department

Latest information: www.lautex.com

All products are subject to modifications without prior notice

MARINE PANEL LAUTEX HT-300 / B-0 / A-15 DECK



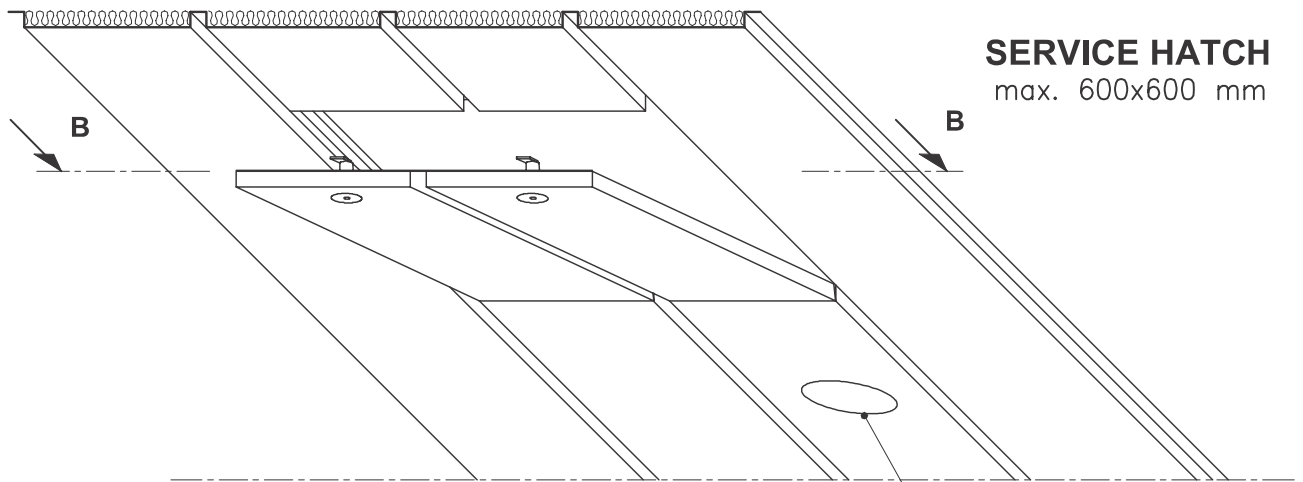
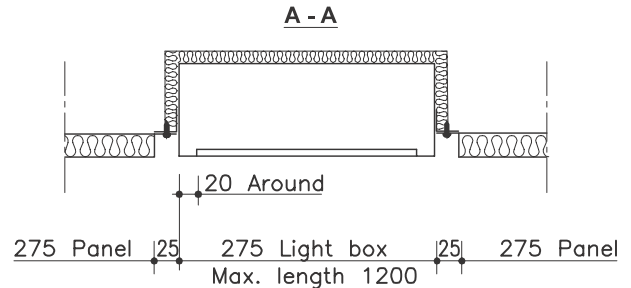
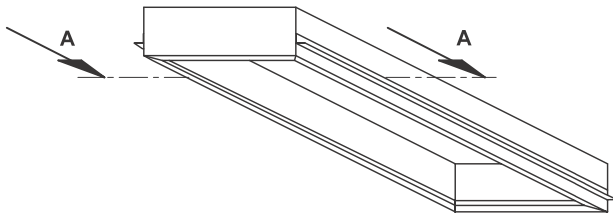
Latest information: www.lautex.com

All products are subject to modifications without prior notice

MARINE PANEL LAUTEX HT-300 / B-0 / A-15 DECK

DOWNLIGHT BOX

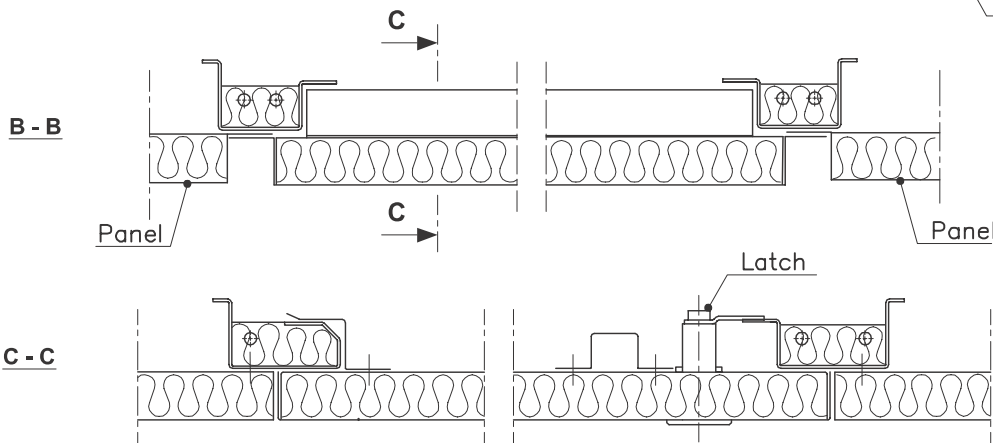
max. 275x1200



SERVICE HATCH

max. 600x600 mm

Cut out for
built-in equipment
(downlight, sprinkler, etc)



THEORETICAL NEED OF SUSPENSION STRUCTURES

Product	Need of material
Carrier No. 90	0.8 m/m ²
Carrier lock	1 pcs / carrier meter
L-list No. 50	0.8 - 1.4 m/m ²
Z-list No. 51C	0.0 - 1.4 m/m ²
Screw 4.2X13 No.75	~8 pcs /m ²

WEIGHT OF OTHER CEILING MATERIALS

Carrier No. 90	0.83 kg/m
Carrier lock	0.08 kg/pcs
L-list No. 50 (1.0 mm steel)	0.64 kg/m
Z-list No. 51C (1.0 mm steel)	0.52 kg/m
Z-list No. 129 (1.0 mm steel)	0.83 kg/m

WEIGHT OF PANELS KG / M²

Panel	HT-300/B-0
Material	0.6 mm steel
Weight *	6.92 kg

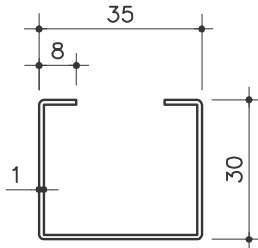
Latest information: www.lautex.com

All products are subject to modifications without prior notice

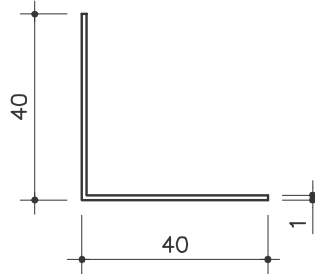
MARINE PANEL LAUTEX HT-300 / B-0 / A-15 DECK

ACCESSORIES

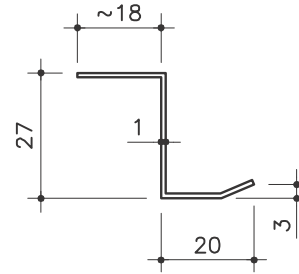
No. 90. CARRIER



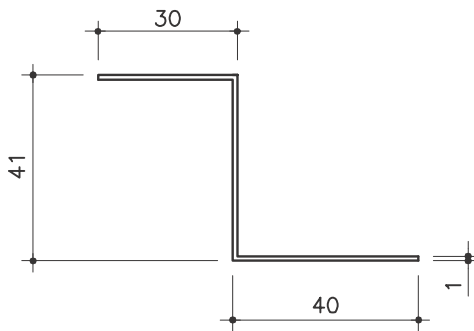
No. 50. L-LIST



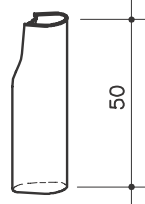
No. 51c. Z-LIST



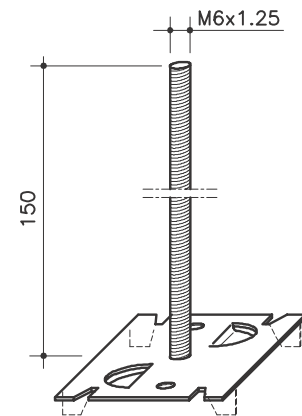
No. 129. L-LIST



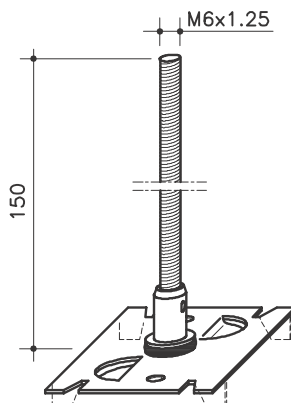
No. 66. CONNECTING PIECE



No. 64. CARRIER LOCK



No. 65. CARRIER LOCK
VIBRATION INSULATED



Latest information: www.lautex.com

All products are subject to modifications without prior notice