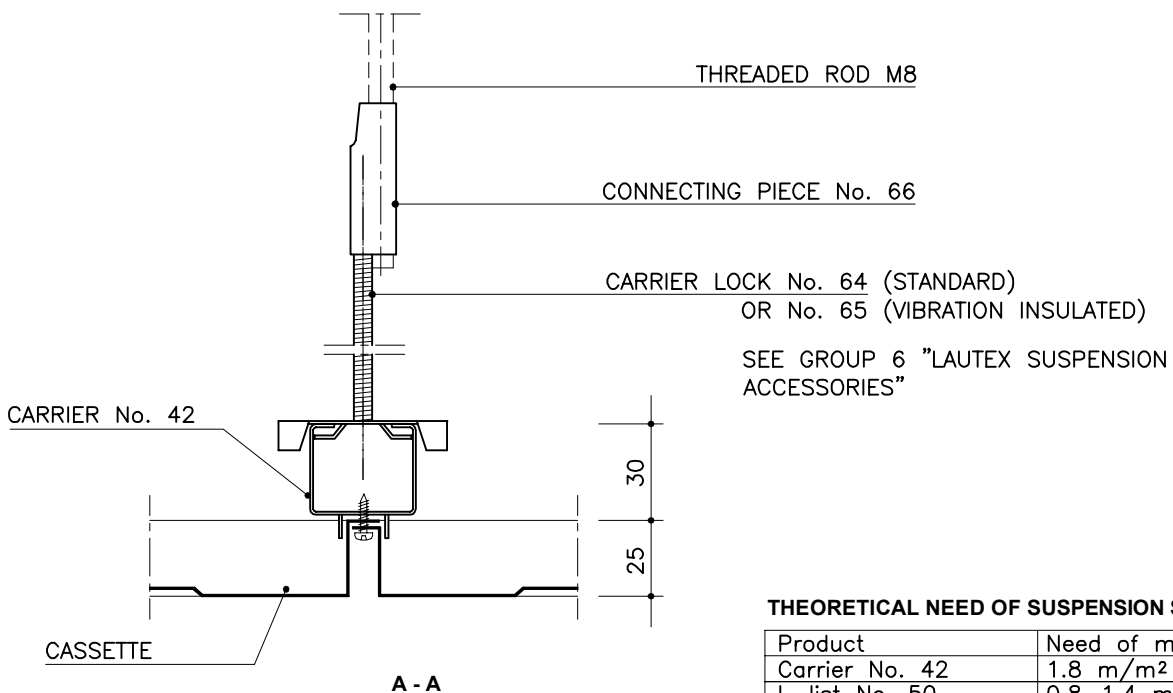
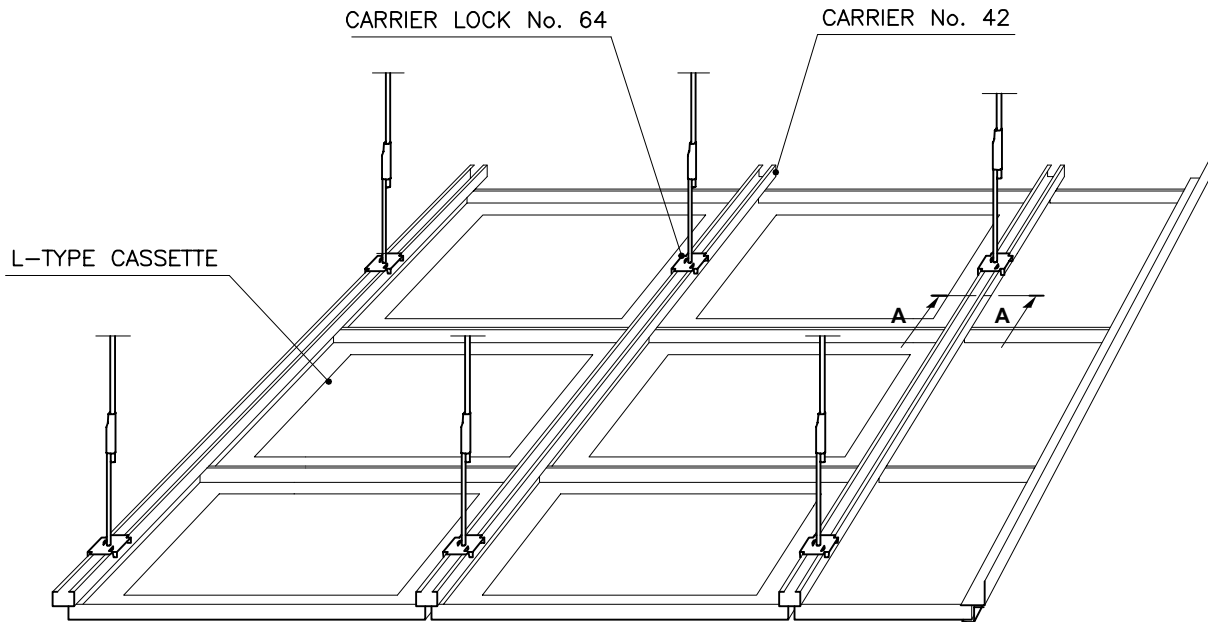


## LAUTEX SUSPENSION SYSTEMS FOR L-TYPE CASSETTES



### THEORETICAL NEED OF SUSPENSION STRUCTURES

Product	Need of material
Carrier No. 42	1.8 m/m <sup>2</sup>
L-list No. 50	0.8-1.4 m/m <sup>2</sup>
Z-list No. 51C	0.8-1.4 m/m <sup>2</sup>
Carrier locks	4 pcs/m <sup>2</sup>

Latest information: [www.lautex.com](http://www.lautex.com)

All products are subject to modifications without prior notice 2018