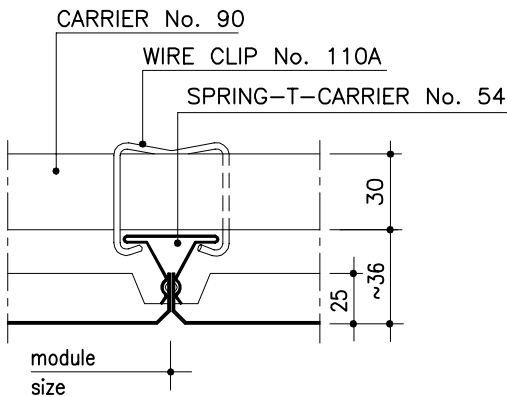
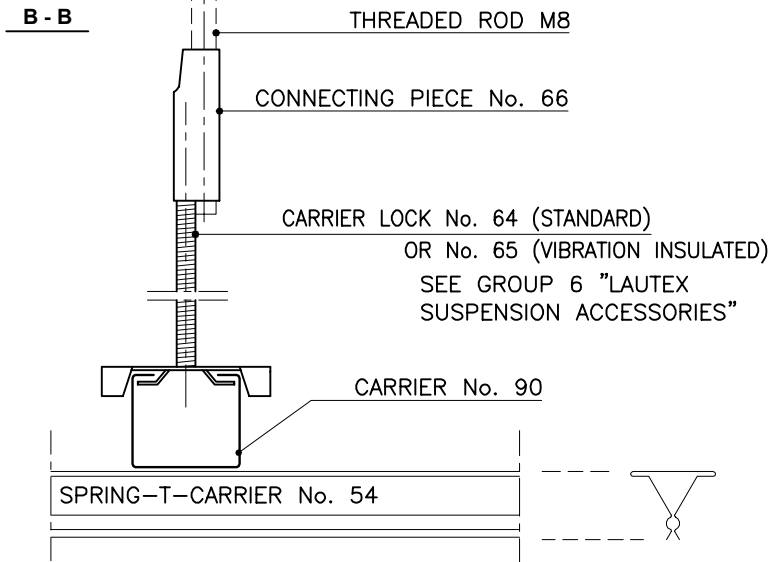
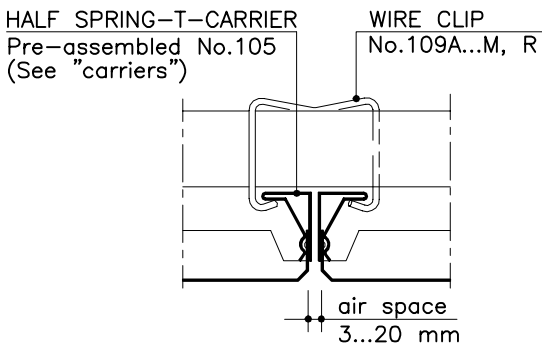


C - C (ALT. 1)
INSTALLATION WITHOUT AIR SPACE



C - C (ALT. 2)
INSTALLATION WITH AIR SPACE



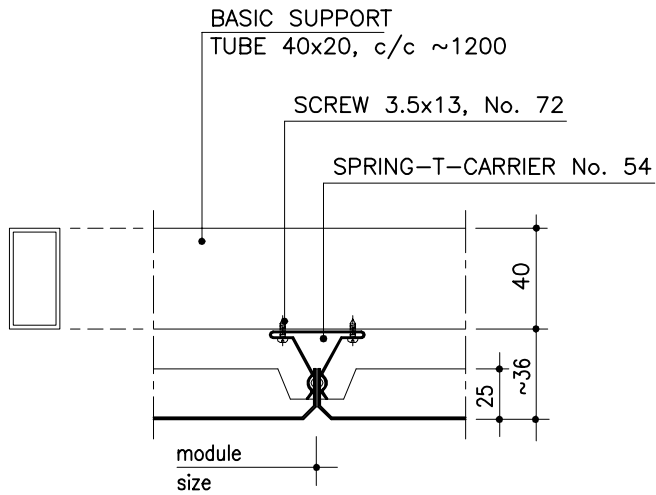
THEORETICAL NEED OF SUSPENSION STRUCTURES

Product	Need of material
Carrier No.90	1.6 m/m ²
Carrier locks	4 pcs/m ²
Z-list No.51C	0.8 - 1.4 m/m ²
L-list No.50	0.8 - 1.4 m/m ²
Spring-T-carrier No. 54 (module size 600x600)	1.8 m/m ²
Wire clip No. 110	4 pcs/m ²

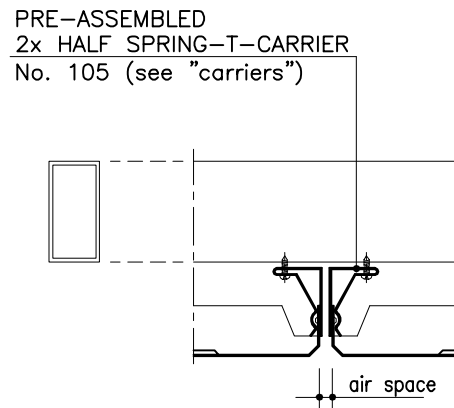
Latest information: www.lautex.com

All products are subject to modifications without prior notice 2018

LAUTEX SUSPENSION SYSTEMS FOR J-TYPE CASSETTES



C - C
 - SCREW FASTENING TO
 BASIC SUPPORT TUBES



C - C
 - SCREW FASTENING TO
 BASIC SUPPORT TUBES
 - PRE-ASSEMBLED
 HALF SPRING-T-CARRIERS

Latest information: www.lautex.com

All products are subject to modifications without prior notice 2018