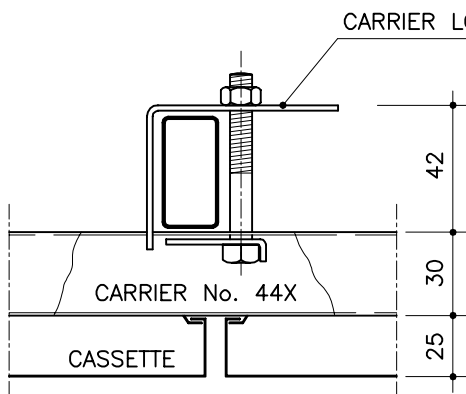
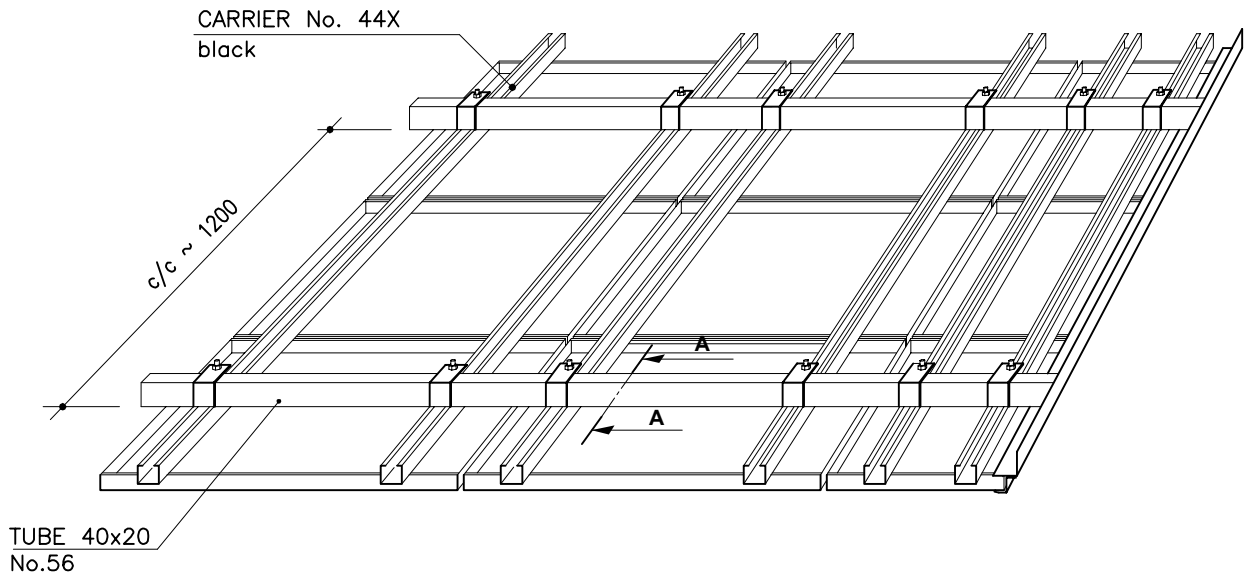
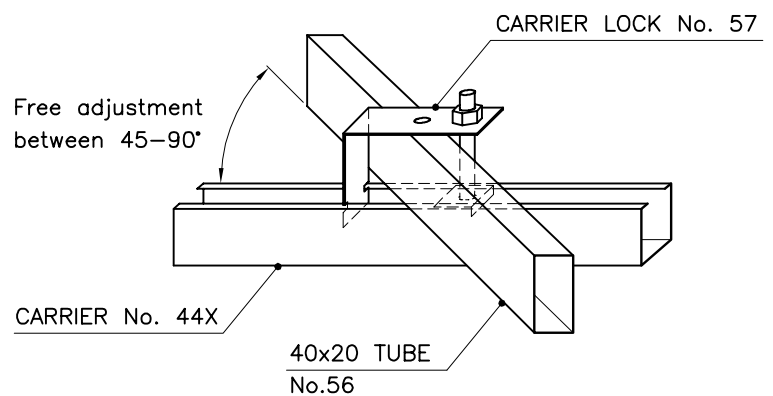


LAUTEX SUSPENSION SYSTEMS FOR PR-U TYPE CASSETTES



A - A



THEORETICAL NEED OF SUSPENSION STRUCTURES

Product	Need of material
Carrier No. 44X	3.3 m/m ²
L-list No. 50	0.8-1.4 m/m ²
Z-list No. 51D	0.8-1.4 m/m ²
Carrier locks No. 57	6 pcs/m ²

Latest information: www.lautex.com

All products are subject to modifications without prior notice 2018