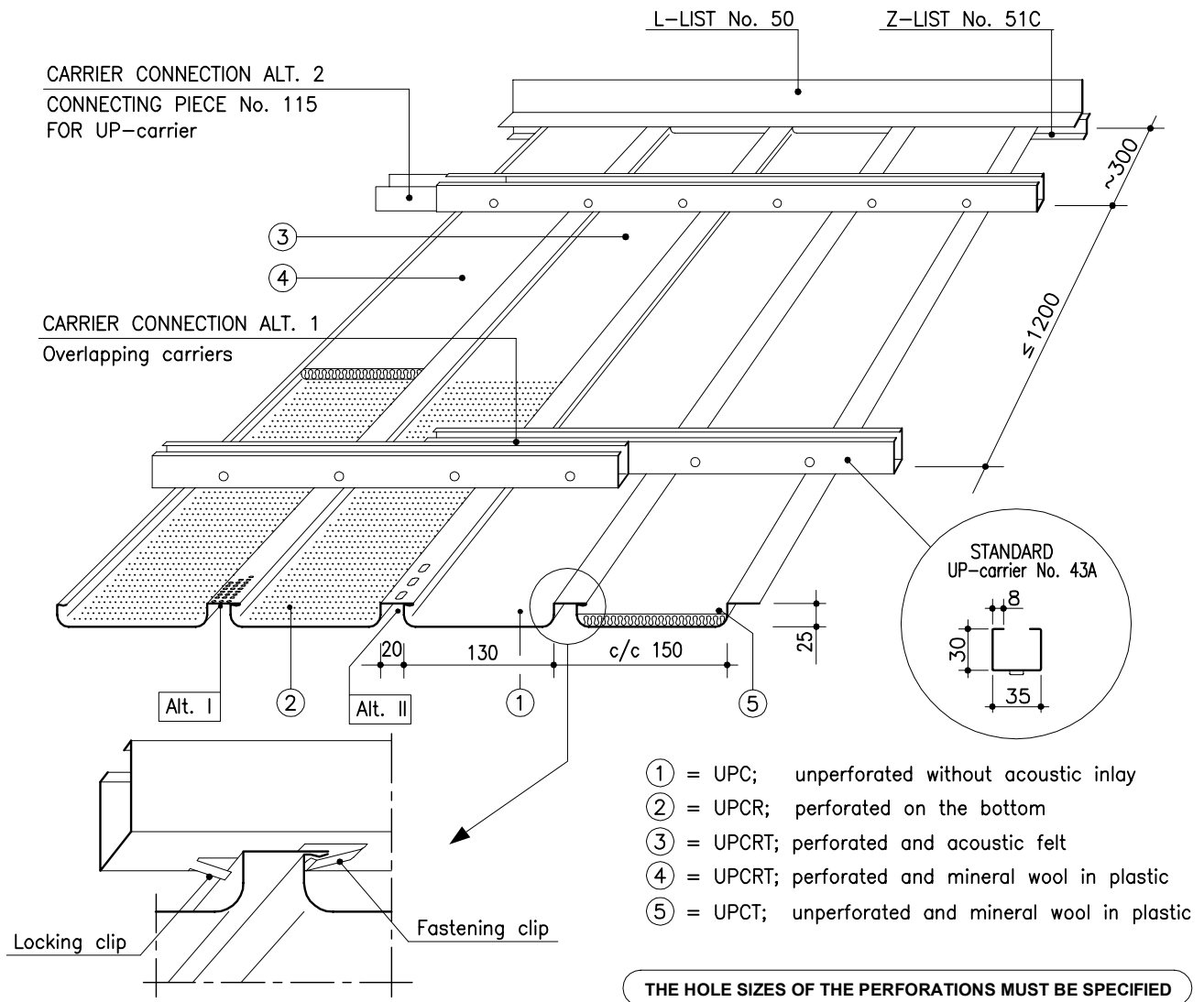


## MARINE PANEL LAUTEX UPC-150



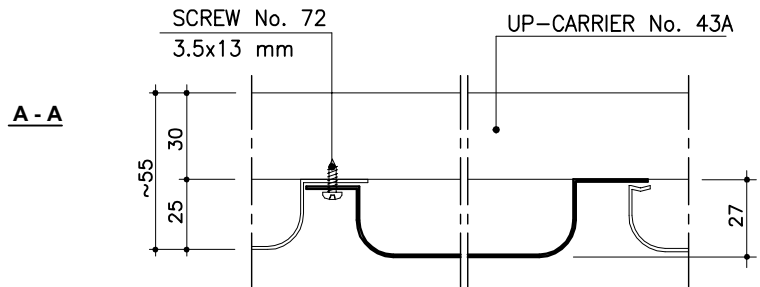
### UPC-150 PANELS / CLASSIFICATION "C"

|                   |   |
|-------------------|---|
| Material          | 0.7 Al  |
| Width             | 150 mm  |
| Height            | 25 mm   |
| Length            | max 6500 mm   |
| Perforation       | $\phi$ 2.0/15 % or $\phi$ 3.5/25 % mm, other alternatives see group 6 "Perforations"  |
| Inlay             | mineral wool in plastic or acoustic felt  |
| Finish            | stove enamelled (or anodized) according to any well-known colour chart  |
| Ventilation       | alt I $\phi$ 3.5 mm, c/c 6.25 mm = 46 cm <sup>2</sup> /m<br>alt II $\phi$ 5x7 mm, c/c 13 mm = 23 cm <sup>2</sup> /m<br>Other alternatives see group 6 "Lautex ventilation perforations" |
| Protective film   | the surface is provided with a protective film if required  |
| End bendings      | no end bendings   |
| Service hatch     | see overleaf  |
| Loudspeaker panel | see overleaf  |
| Downlight unit    | see overleaf  |
| Connecting splice | No. 181X, see page 28   |
| Suspension        | see "Suspension systems for panels" page 27   |
| Edge lists        | see group 6 "Lautex lists" and page 28 "Lautex marine panels typical details"   |
| Other solutions   | please contact our technical information department   |

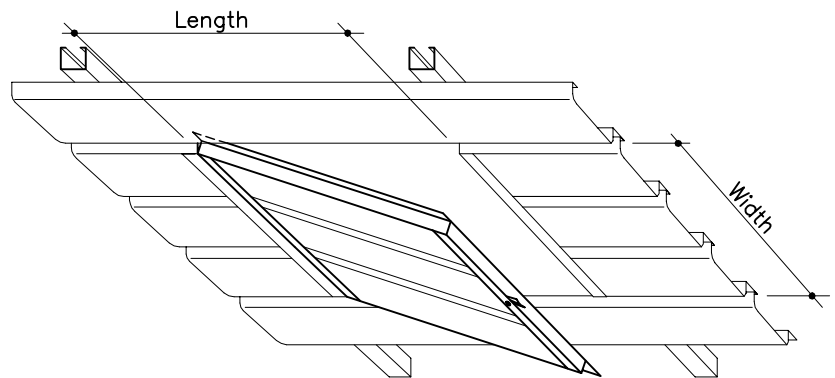
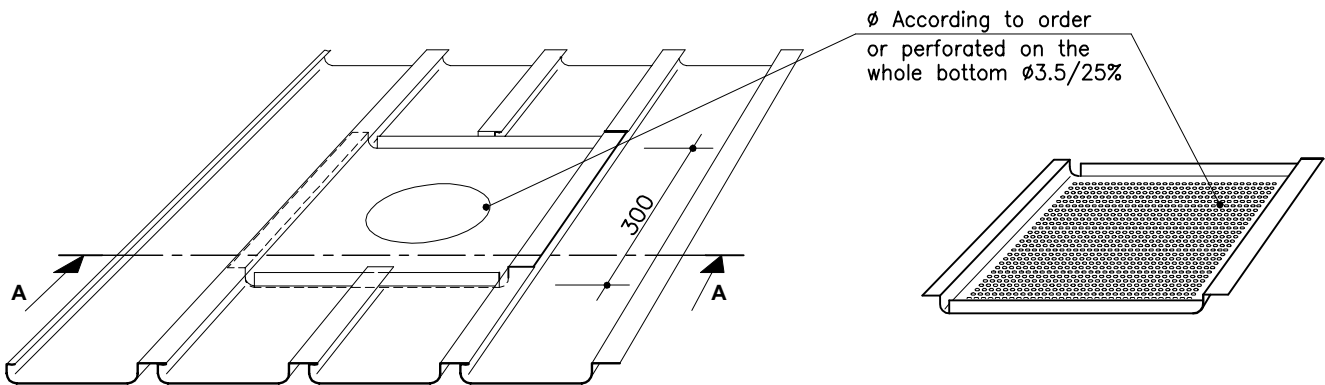
Latest information: [www.lautex.com](http://www.lautex.com)

All products are subject to modifications without prior notice 2018

## MARINE PANEL LAUTEX UPC-150 INSTALLATION ACCESSORIES



LOUDSPEAKER OR DOWNLIGHT PANEL



### STANDARD SERVICE HATCHES

| LENGTH x WIDTH<br>(opening in the ceiling) |
|--|
| 300 x 300                                  |
| 600 x 600                                  |

SOLUTIONS OF PANEL EXTENSION AND PANEL CONNECTION TO WALL PLEASE SEE PAGE 28

### THEORETICAL NEED OF SUSPENSION STRUCTURES

| Product                | Need of material           |
|------------------------|----------------------------|
| Carrier No. 43A        | 1.2 – 1.6 m/m <sup>2</sup> |
| Carrier lock           | 1 pcs/carrier meter        |
| L-list No. 50          | 0.8 – 1.4 m/m <sup>2</sup> |
| Z-list No. 51C         | 0.8 – 1.4 m/m <sup>2</sup> |
| U-insert list No. 53 C | 0.8 – 1.4 m/m <sup>2</sup> |

### WEIGHT OF PANELS KG / M<sup>2</sup>

|          | UPC-150 |
|----------|---------|
| Material | 0.7 Al  |
| Weight   | 2.58    |

### WEIGHT OF OTHER CEILING MATERIALS

| Product                         | Weight of material     |
|---------------------------------|------------------------|
| Mineral wool in plastic         | 0.52 kg/m <sup>2</sup> |
| Carrier No. 43A                 | 0.83 kg/m              |
| Carrier lock                    | 0.08 kg/pcs            |
| L-list No. 50 or 83 (1.5 Al)    | 0.32 kg/m              |
| L-list No. 50 or 83 (1.0 steel) | 0.62 kg/m              |
| Z-list No. 51C (1.0 Al)         | 0.16 kg/m              |
| U-insert list No. 53C (0.7 Al)  | 0.12 kg/m              |

Latest information: [www.lautex.com](http://www.lautex.com)

All products are subject to modifications without prior notice 2018