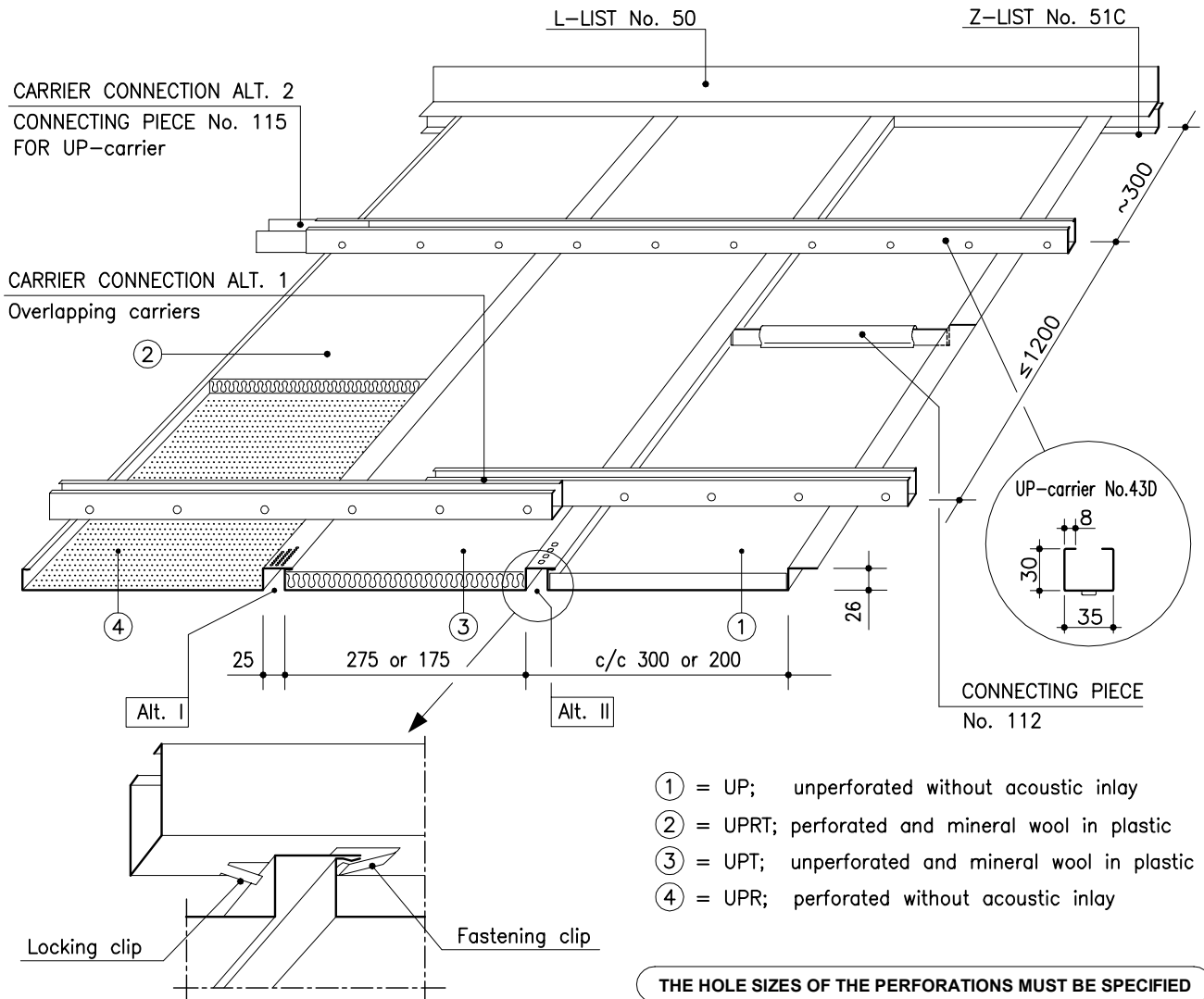


## MARINE PANEL LAUTEX UP-300 AND -200 / 25



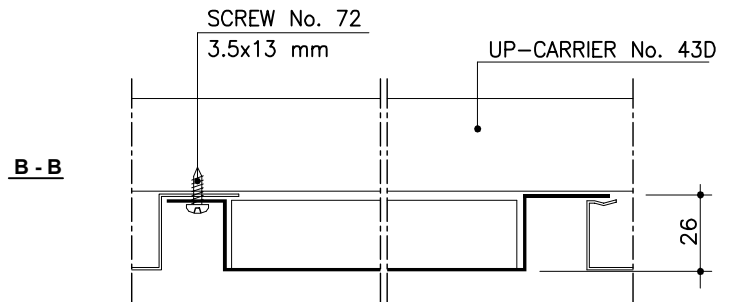
### UP-300 PANELS / CLASSIFICATION "C"

Material	0.7 Al 0.6 Steel
Width	300 mm or 200 mm
Height	26 mm
Length	max 4000 mm
Perforation	∅ 3.5/25 %, other alternatives see group 6 "Perforations"
Inlay	mineral wool in plastic
Finish	stove enamelled (or anodized) according to any well-known colour chart
Ventilation	alt I ∅ 3.5 mm, c/c 6.25 mm = 46 cm <sup>2</sup> /m alt II ∅ 5x7 mm, c/c 13 mm = 23 cm <sup>2</sup> /m Other alternatives see group 6 "Lautex ventilation perforations"
Protective film	the surface is provided with a protective film if required
End bendings	standard for straight cut ends
Service hatch	see overleaf
Loudspeaker panel	see overleaf
Downlight unit	see overleaf
Connecting splice	UP-200/25 No.181U, UP-300 No.181V see page 28 or No. 112 see above
Suspension	see "Suspension systems for panels" page 27
Edge lists	see group 6 "Lautex lists" and page 28 "Lautex marine panels typical details"
Other solutions	please contact our technical information department

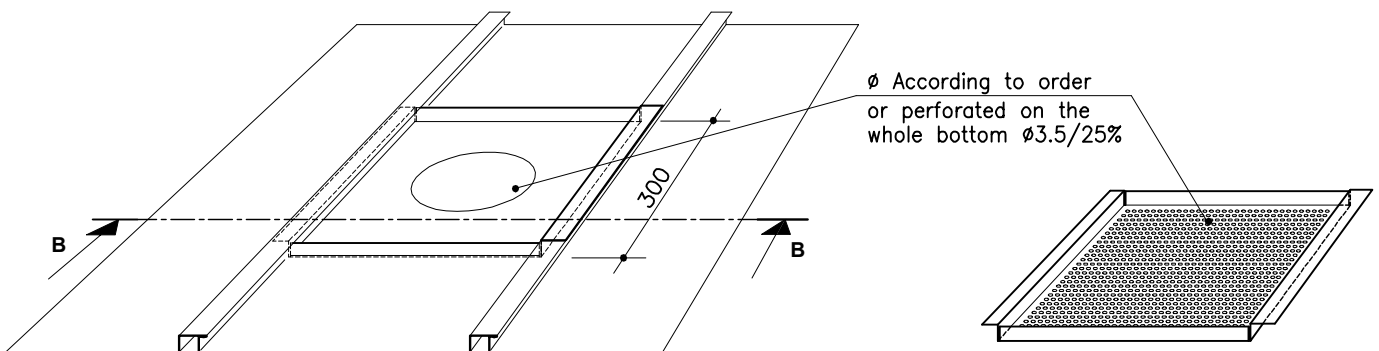
Latest information: [www.lautex.com](http://www.lautex.com)

All products are subject to modifications without prior notice 2018

## MARINE PANEL LAUTEX UP-300 AND -200 / 25 INSTALLATION ACCESSORIES

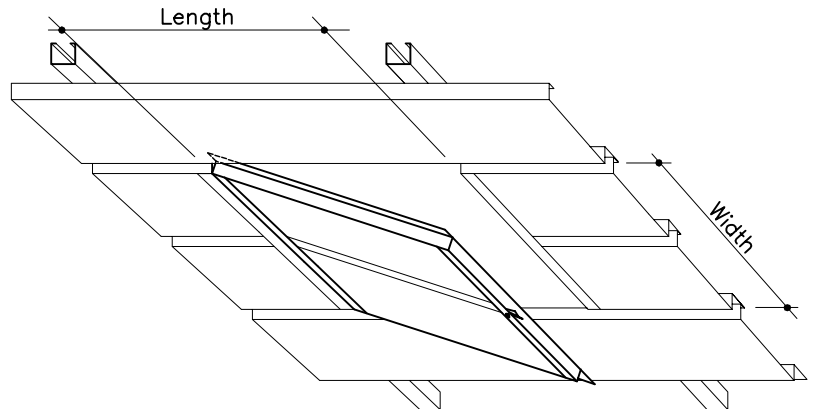


### LOUDSPEAKER OR DOWNLIGHT PANEL



### STANDARD SERVICE HATCHES

LENGTH x WIDTH (opening in the ceiling)
300 x 300
400 x 400
600 x 600



SOLUTIONS OF PANEL EXTENSION AND PANEL CONNECTION TO WALL PLEASE SEE PAGE 28

### THEORETICAL NEED OF SUSPENSION STRUCTURES

Product	Need of material
Carrier No. 43D	1.2 - 1.6 m/m <sup>2</sup>
Carrier lock	1 pcs/carrier meter
L-list No. 50	0.8 - 1.4 m/m <sup>2</sup>
Z-list No. 51C	0.8 - 1.4 m/m <sup>2</sup>
U-insert list No. 53C+	0.8 - 1.4 m/m <sup>2</sup>

### WEIGHT OF PANELS KG / M<sup>2</sup>

Material	UP-300		UP-200/25	
	0.7 Al	0.6 Steel	0.7 Al	0.6 Steel
Weight	2.33	5.92	2.55	6.48

### WEIGHT OF OTHER CEILING MATERIALS

Product	Weight of material
Mineral wool in plastic	0.52 kg/m <sup>2</sup>
Carrier No. 43D	0.83 kg/m
Carrier lock	0.08 kg/pcs
L-list No. 50 or 83 (1.5 Al)	0.32 kg/m
L-list No. 50 or 83 (1.0 steel)	0.62 kg/m
Z-list No. 51C (1.0 Al)	0.16 kg/m
U-insert list No. 53C+ (0.7 Al)	0.12 kg/m

Latest information: [www.lautex.com](http://www.lautex.com)

All products are subject to modifications without prior notice 2018