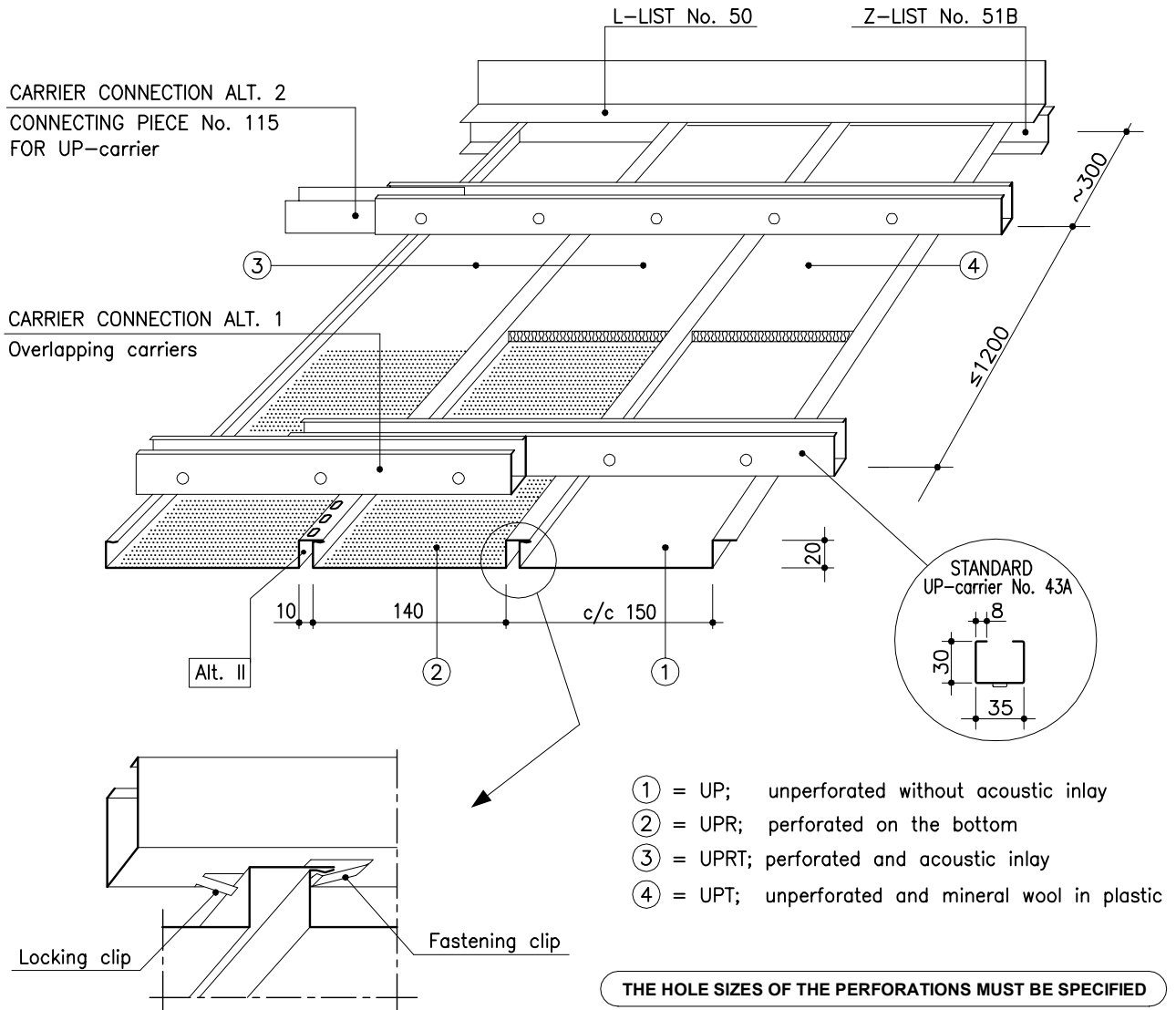


## MARINE PANEL LAUTEX UP-150



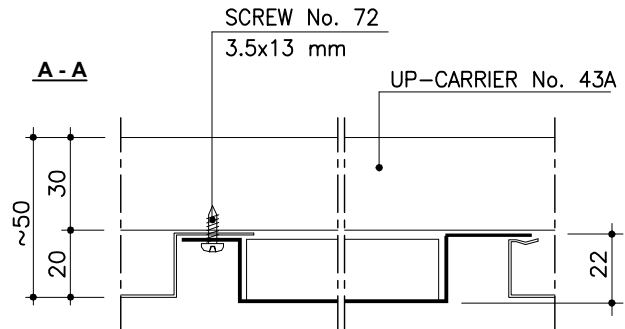
### UP-150 PANELS / CLASSIFICATION "C"

Material	0.5 Al	0.7 Al
Width	150 mm	
Height	20 mm	
Length	max 6500 mm	
Perforation	Ø 2.0/15%, other alternatives see group 6 "Perforations"	
Inlay	mineral wool in plastic or acoustic felt	
Finish	stove enamelled (or anodized) according to any well-known colour chart	
Ventilation	alt II Ø 5x7 mm, c/c 13 mm = 23 cm <sup>2</sup> /m	
Protective film	the surface is provided with a protective film if required	
Service hatch	see overleaf	
Loudspeaker panel	see overleaf	
Downlight unit	see overleaf	
Connecting splice	No. 181P, see page 28	
Suspension	see "Suspension systems for panels" page 27	
Edge lists	see group 6 "Lautex lists" and page 28 "Lautex marine panels typical details"	
Other solutions	please contact our technical information department	

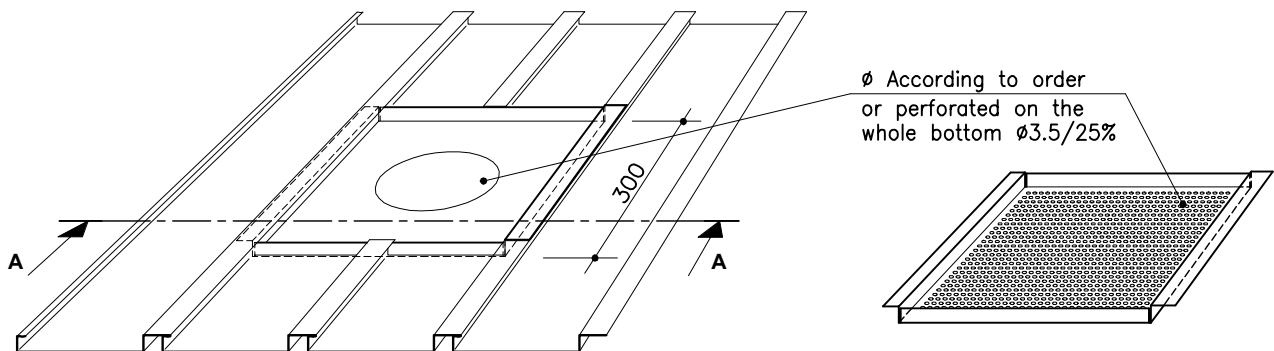
Latest information: [www.lautex.com](http://www.lautex.com)

All products are subject to modifications without prior notice 2018

## MARINE PANEL LAUTEX UP-150 INSTALLATION ACCESSORIES

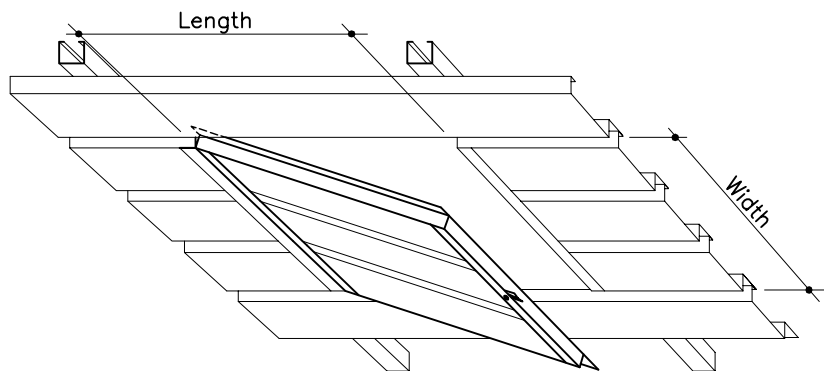


### LOUDSPEAKER OR DOWNLIGHT PANEL



### STANDARD SERVICE HATCHES

LENGTH x WIDTH (opening in the ceiling)
300 x 300
600 x 600



SOLUTIONS OF PANEL EXTENSION AND PANEL CONNECTION TO WALL PLEASE SEE PAGE 28

### THEORETICAL NEED OF SUSPENSION STRUCTURES

Product	Need of material
Carrier No. 43A	1.2 – 1.6 m/m <sup>2</sup>
Carrier lock	1 pcs/carrier meter
L-list No. 50	0.8 – 1.4 m/m <sup>2</sup>
Z-list No. 51B	0.8 – 1.4 m/m <sup>2</sup>

### WEIGHT OF PANELS KG / M<sup>2</sup>

	UP-150	
Material	0.5 Al	0.7 Al
Weight	1.80	2.52

### WEIGHT OF OTHER CEILING MATERIALS

Product	Weight of material
Mineral wool in plastic	0.52 kg/m <sup>2</sup>
Carrier No. 43A	0.83 kg/m
Carrier lock	0.08 kg/pcs
L-list No. 50 or 83 (1.5 Al)	0.32 kg/m
L-list No. 50 or 83 (1.0 Steel)	0.62 kg/m
Z-list No. 51B (1.0 Al)	0.15 kg/m

Latest information: [www.lautex.com](http://www.lautex.com)

All products are subject to modifications without prior notice 2018