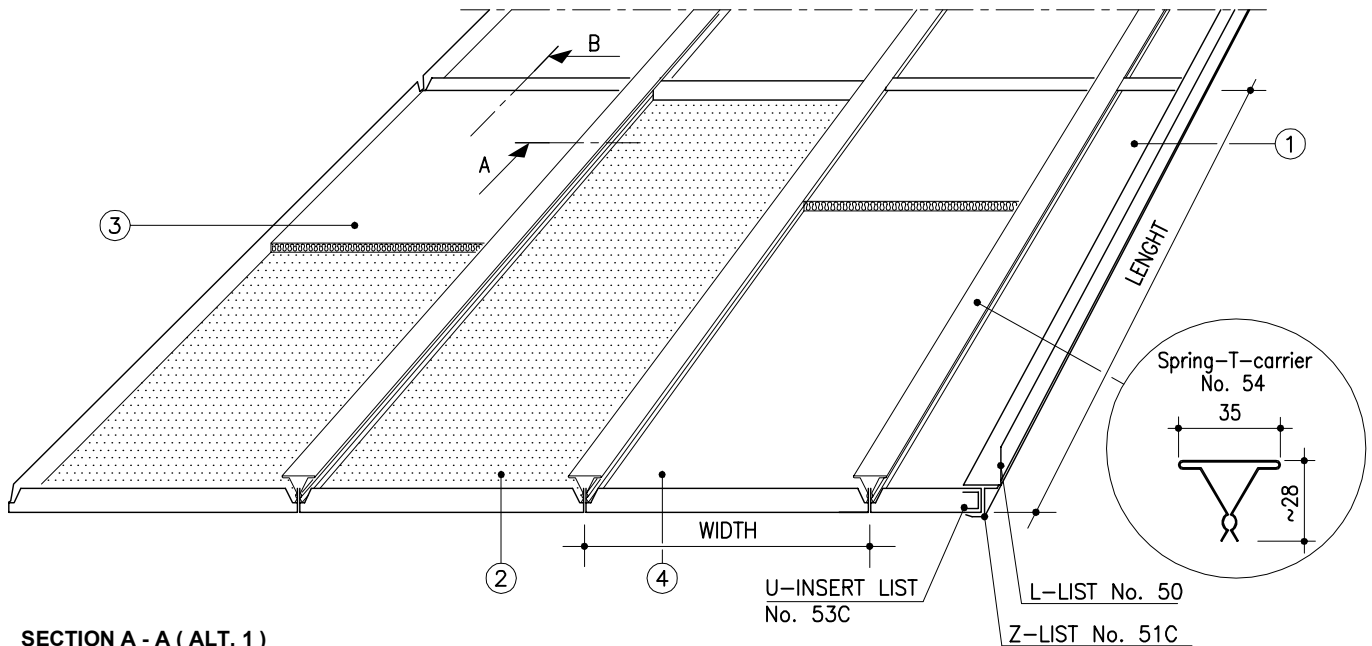
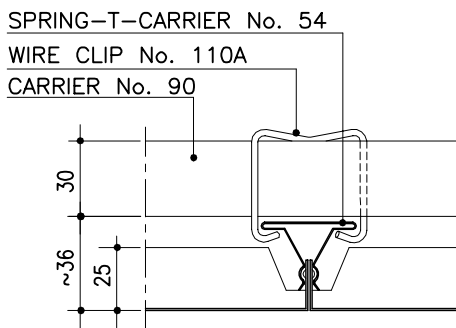


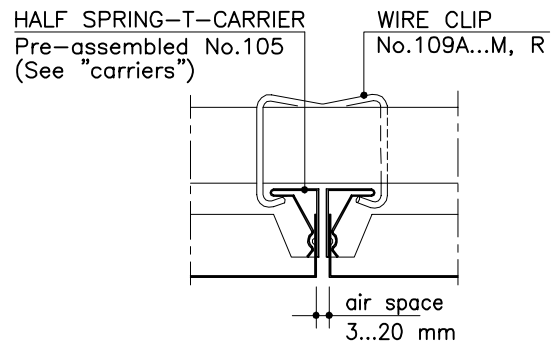
MARINE CASSETTE TJ-TYPE



SECTION A - A (ALT. 1)
INSTALLATION WITHOUT AIR SPACE



SECTION A - A (ALT. 2)
INSTALLATION WITH AIR SPACE

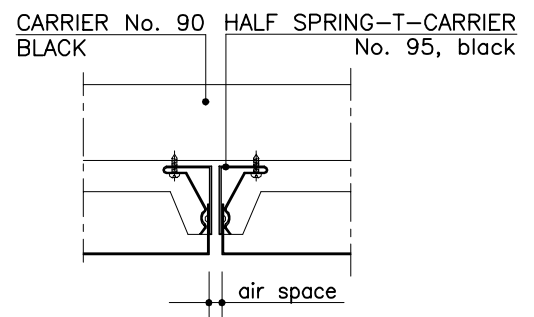


TJ-300 CASSETTES/ CLASSIFICATION "C"

	0.7 Al	1.0 Al
Material	0.7 Al	1.0 Al
Width	300 – 400 mm	500 – 600 mm
Height	25 mm	
Length	max 4000 mm	
Perforation	Ø2.0/15%, other alternatives see group 6 "perforations"	
Inlay	mineral wool in plastic or acoustic felt	
Finish	stove enamelled (or anodized) any well-known colour chart	
Protective film	the surface is provided with a protective film if required	
Ventilation	installation also with air space	
Special shapes	according to order	
Service hatch	see overleaf	
Loudspeaker	area perforation Ø3.5/25%	
Edge lists	see group 6 "Lautex lists" and page 21 "Lautex marine cassettes typical details"	
Downlight unit	see page 2	
Suspensions	see "Suspension systems for J-type cassettes" (page 18 & 19)	
Other special solutions	please contact our technical information department	

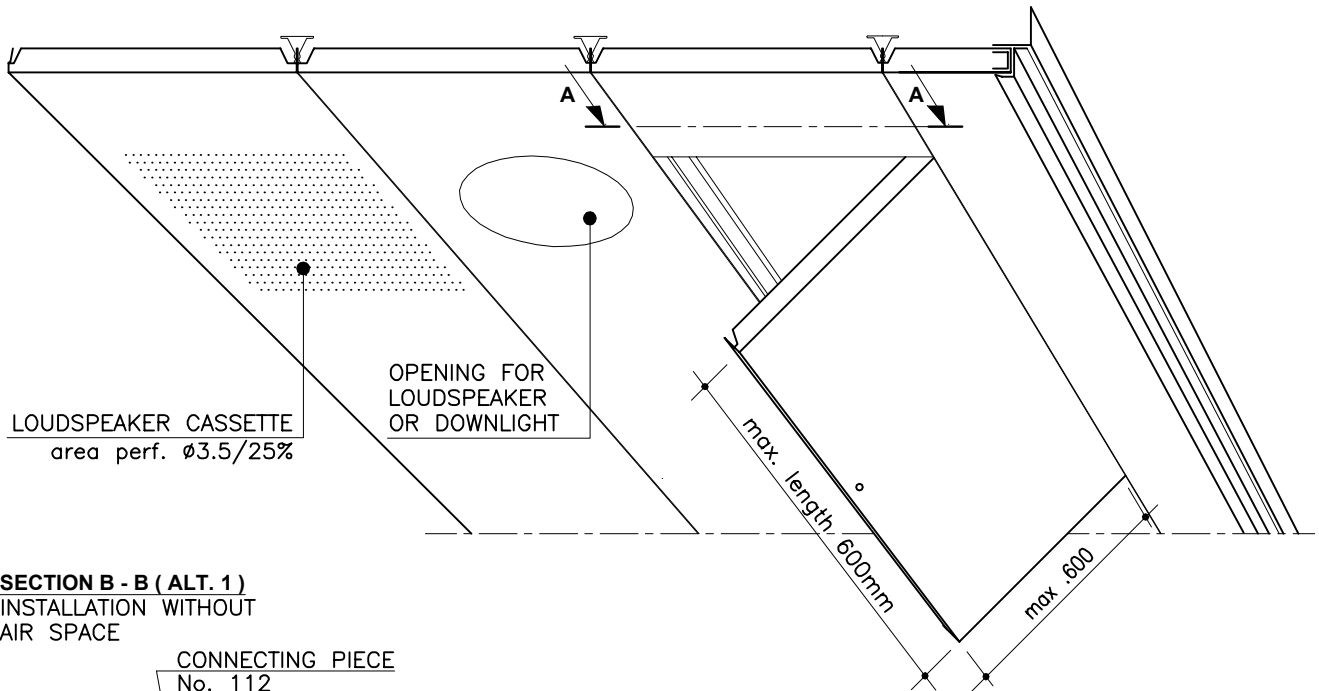
Latest information: www.lautex.com

All products are subject to modifications without prior notice 2018

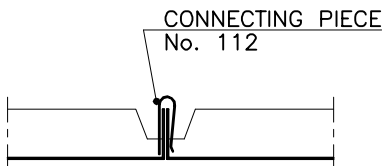


- ① = TJ; unperforated without acoustic inlay
- ② = TJR; perforated
- ③ = TJRT; perforated and mineral wool in plastic
- ④ = TJT; unperforated and mineral wool in plastic

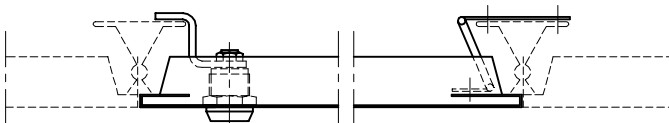
MARINE CASSETTE TJ-TYPE INSTALLATION ACCESSORIES



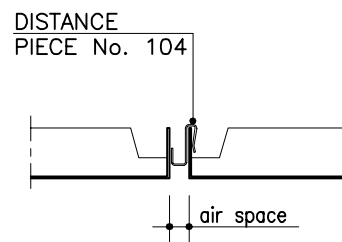
SECTION B - B (ALT. 1)
INSTALLATION WITHOUT
AIR SPACE



SECTION A - A, SERVICE HATCH



SECTION B - B (ALT. 2)
INSTALLATION WITH AIR SPACE



CASSETTE CONNECTION TO WALL PLEASE SEE PAGE 21

THEORETICAL NEED OF SUSPENSION STRUCTURES

Product	Need of material
Carrier No. 90	1.6 m/m ²
Carrier locks	4 pcs/m ²
Z-list No. 51C	0.8-1.4 m/m ²
L-list No. 50	0.8-1.4 m/m ²
Spring-T-carrier No. 54	1.8 m/m ²
Wire clip No. 110A	3 pcs/m ²
Screw	6 pcs/m ²

WEIGHT OF CEILING

Cassette	TJ-300	
Material	0.7 Al	1.0 Al
Weight	2.2 Kg/m ²	3.1 Kg/m

WEIGHT OF OTHER CEILING MATERIALS

Product	Weight of material
Carrier No. 90 (1.0 Steel)	0.83 kg/m
Carrier locks	80 g/pcs
Z-list No. 51C (1.0 Al)	0.15 kg/m
L-list No. 50 or 83 (1.5 Al)	0.32 kg/m
L-list No. 50 or 83 (1.0 steel)	0.62 kg/m
Spring-T-carrier (0.5 Steel)	0.44 kg/m
Mineral wool in plastic	0.52 kg/m ²

Latest information: www.lautex.com

All products are subject to modifications without prior notice 2018