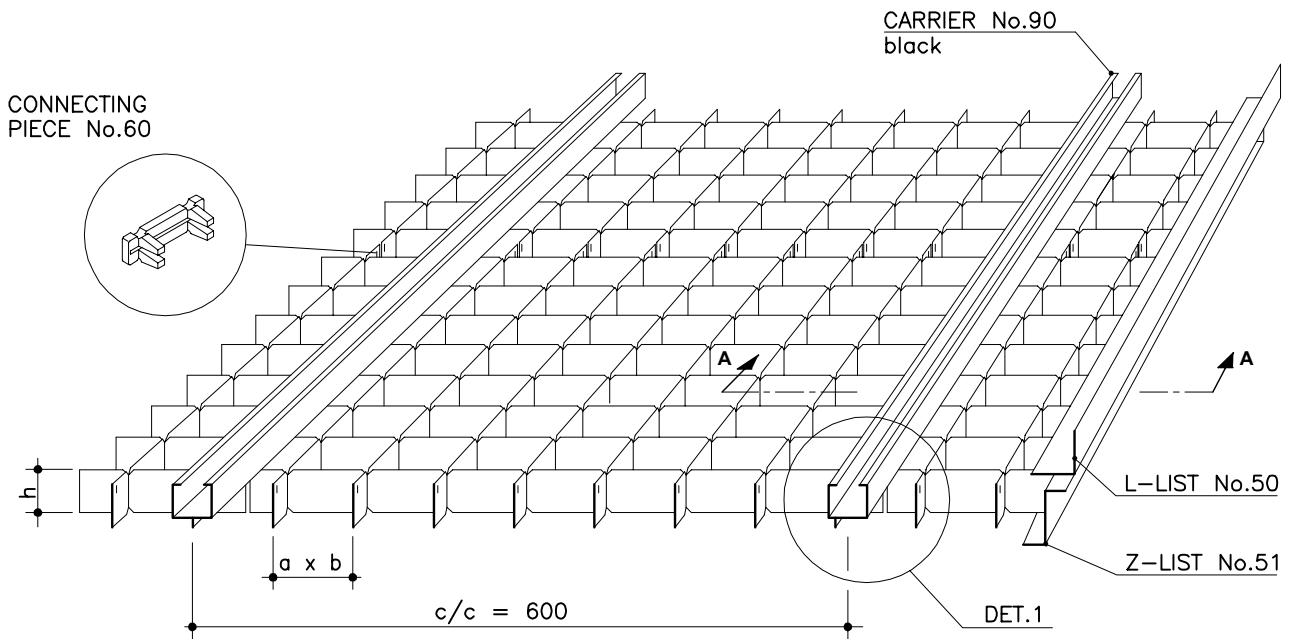
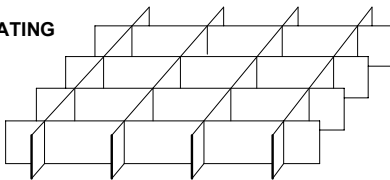


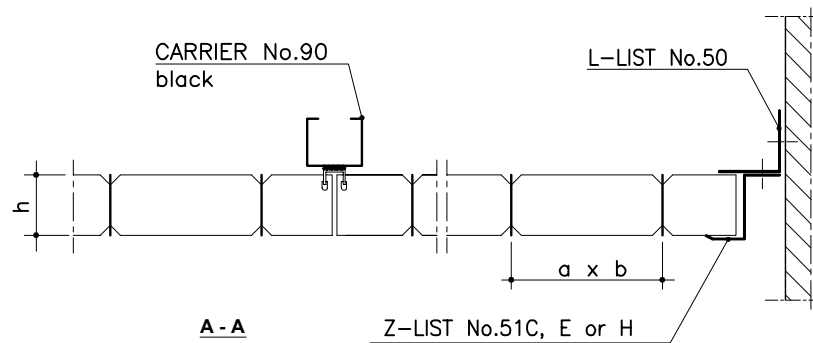
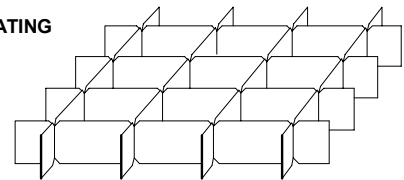
MARINE GRATING LAUTEX N AND NX



N-GRATING



NX-GRATING

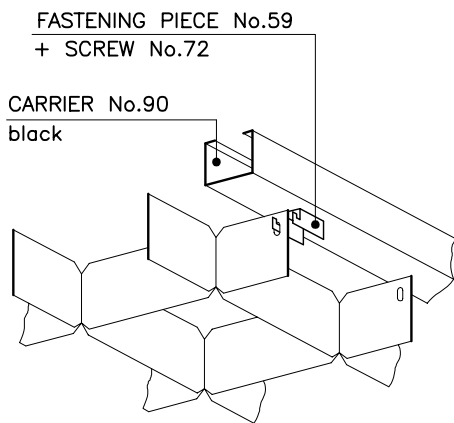


Material	0.7 Al
Element size	600x600 or 600x1200
Height h mm	25 35 35 50 50
Cell size a x b	25 37.5 50 50 75
Finish	stove enamelled (or anodized) according to any well-known colour chart
Downlights	see overleaf
Suspension	see overleaf
Edge lists	see group 6 "Lautex lists"
Other special solutions	please contact our technical information department

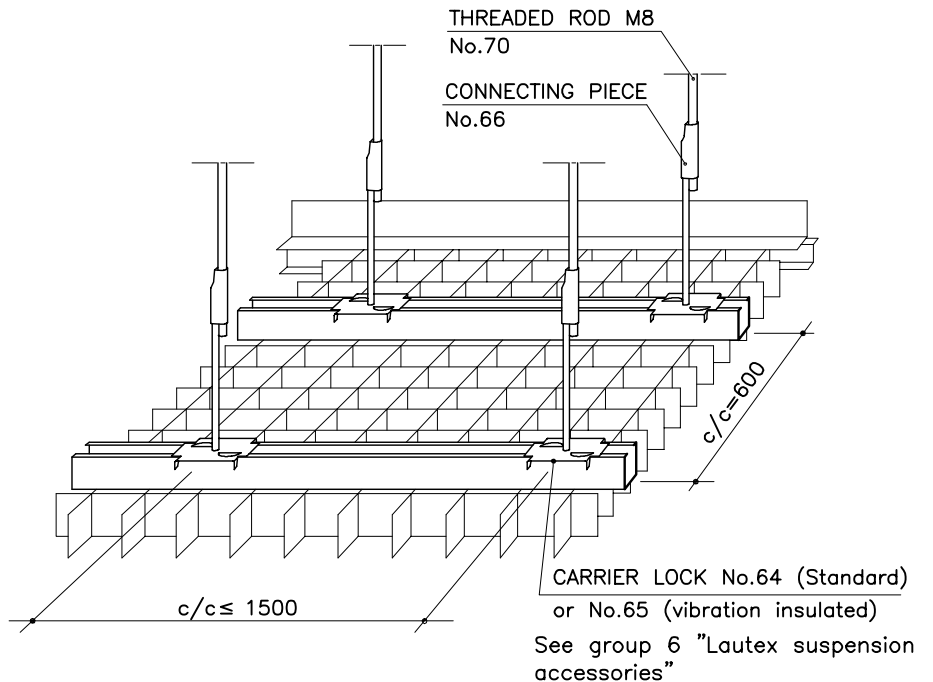
Latest information: www.lautex.com

All products are subject to modifications without prior notice 2018

MARINE GRATING LAUTEX N AND NX INSTALLATION DETAILS AND ACCESSORIES



DET. 1

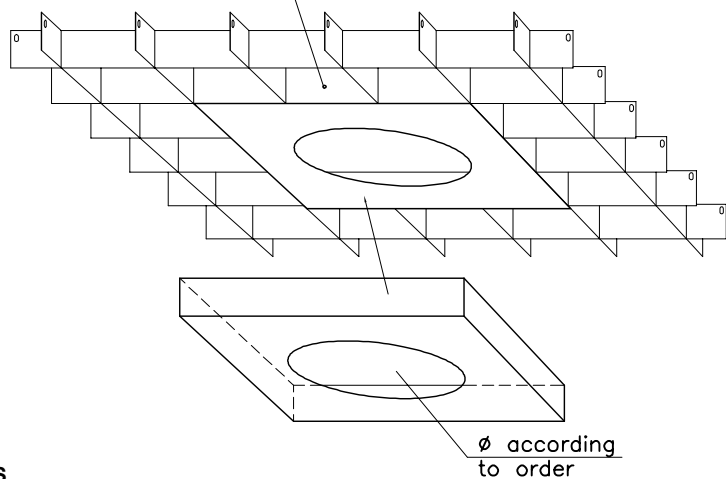


LOUDSPEAKER OR DOWNLIGHT UNIT

We produce the downlight units according to order. The size and construction of the downlight unit depends on the size of the luminaire, the cell size and grating type.

Finish: Stove enamelled (or anonized) in desired colour.

Can be fastened on board with e.g. pop-rivet



THEORETICAL NEED OF SUSPENSION STRUCTURES (Element size 600x600mm)

Product	Need of material
Carrier No.90	1.6 m/m ²
Carrier locks	4 pcs/m ²
L-list No.50	0.8 - 1.4 m/m ²
Z-list No.51	0.8 - 1.4 m/m ²
Fastening piece No.59	4 pcs/m ²
Screw No.72	4 pcs/m ²
Connecting piece No.60	11 pcs/m ²

WEIGHT OF GRATING

module size 600x600	N 50x50x50	NX 50x50x50
Material	0.7 Al	0.7 Al
Weight	0.4 kg/m ²	0.4 kg/m ²

WEIGHT OF OTHER CEILING MATERIALS

Product	Weight of material
Carrier No.90 (1.0 Steel)	0.83 kg/m
Carrier locks	80 g/pcs
L-list No.50 (1.5 Al)	0.32 kg/m
L-list No.50 (1.0 steel)	0.62 kg/m
Z-list No.51 (1.0 Al)	0.14 - 0.17 kg/m

Latest information: www.lautex.com

All products are subject to modifications without prior notice 2018