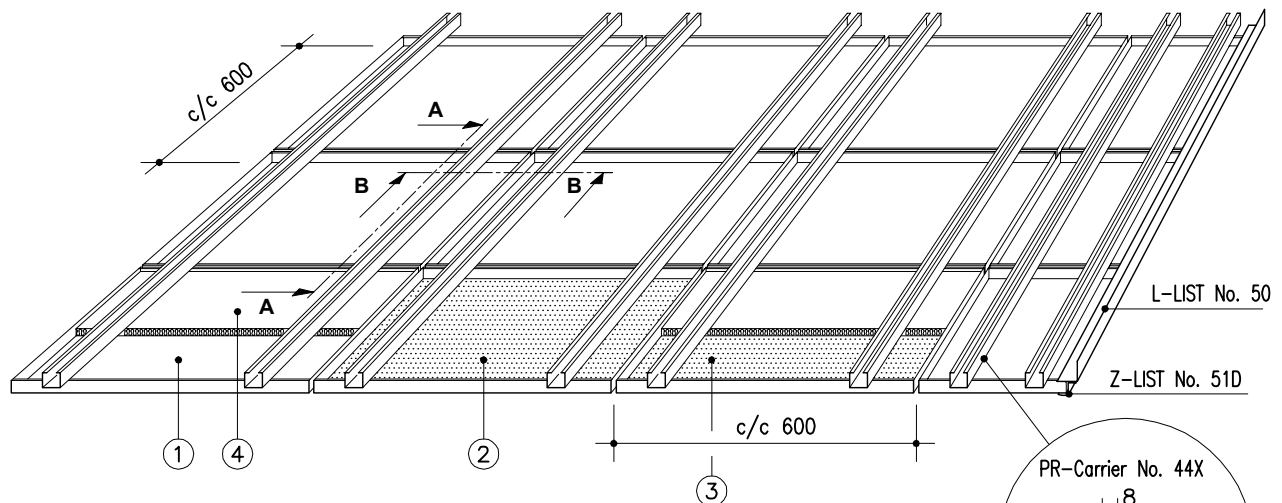
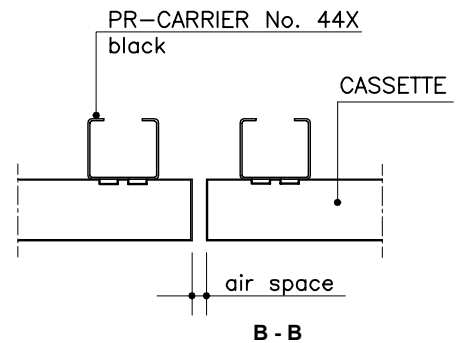
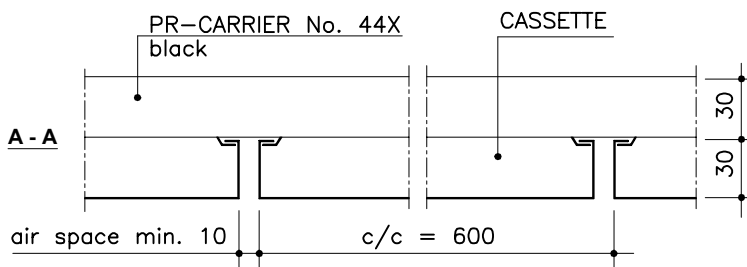


## MARINE CASSETTE LAUTEX PR-U 600



### INSTALLATION WITH AIR SPACE AROUND THE CASSETTES



- ① = PR-U 600; unperforated without acoustic inlay
- ② = PR-UR 600; perforated without acoustic inlay
- ③ = PR-URT 600; perforated, with mineral wool in plastic
- ④ = PR-UT 600; unperforated, with mineral wool in plastic

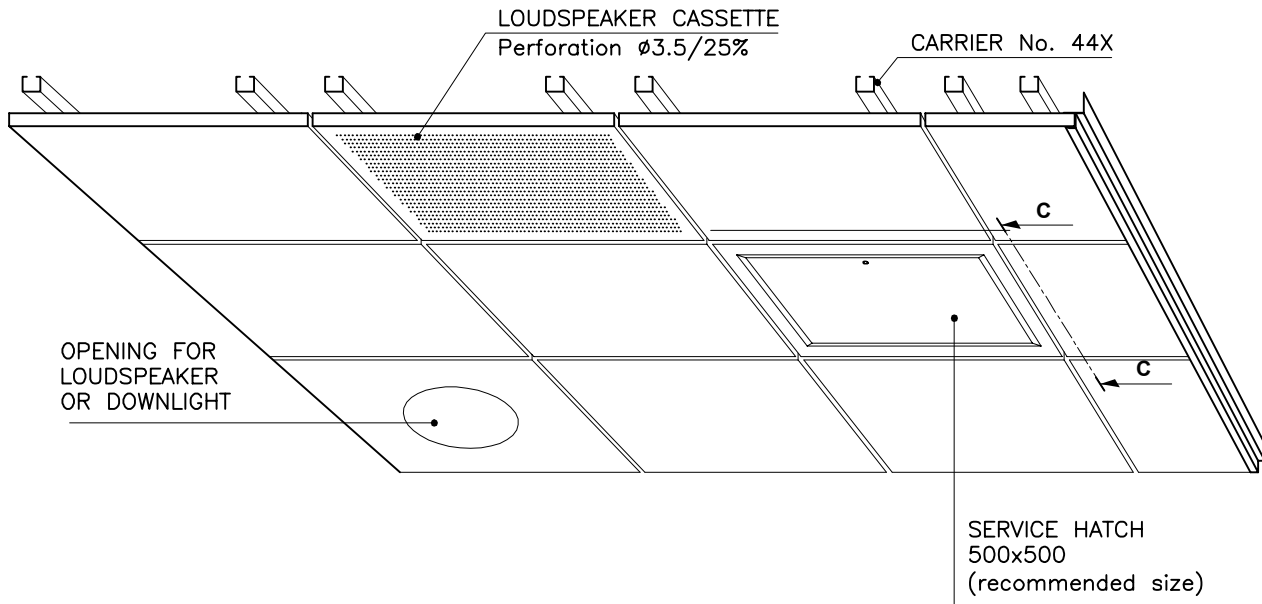
### PR-U 600 CASSETTES / CLASSIFICATION "C"

Material	0.7 Al (0.5 Steel)
Module	600x600 mm or according to order
Height	30 mm
Perforation	ø2.0/15% or ø3.5/25%, other alternatives see group 6 "perforations"
Inlay	mineral wool in plastic or acoustic felt
Finish	stove enamelled (or anodized aluminium) according to any well-known colour chart
Ventilation	installation with air space
Protective film	the surface is provided with a protective film if required
Service hatch	see overleaf
Loudspeaker	perforated cassette with ø3.5/25% area
Edge lists	see group 6 "Lautex lists" and page 21 "Lautex marine cassettes typical details"
Suspensions	see page 20 "Suspensions systems for U-type cassettes"
downlight unit	see overleaf
Other special solutions	please contact our technical information department

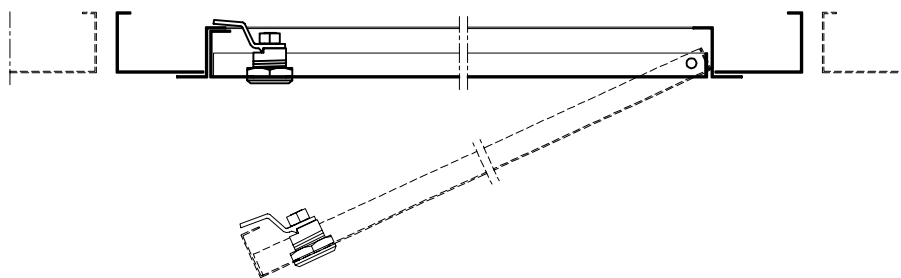
Latest information: [www.lautex.com](http://www.lautex.com)

All products are subject to modifications without prior notice 2018

## MARINE CASSETTE LAUTEX PR-U 600 INSTALLATION ACCESSORIES



**SECTION C - C**  
SERVICE HATCH, 500x500



### CASSETTE CONNECTION TO WALL PLEASE SEE PAGE 21

#### THEORETICAL NEED OF SUSPENSION STRUCTURES

Product	Need of material
Carrier No. 44X	3.3 m/m <sup>2</sup>
L-list No. 50	0.8-1.4 m/m <sup>2</sup>
Z-list No. 51D	0.8-1.4 m/m <sup>2</sup>

#### WEIGHT OF CEILING

Cassette	PR-U 600	
Material	0.7 Al	0.5 Steel
Weight	2.2 Kg/m <sup>2</sup>	4.5 Kg/m <sup>2</sup>

#### WEIGHT OF OTHER CEILING MATERIALS

Product	Weight of material
Carrier No. 44X (1.0 Steel)	0.83 kg/m
L-list No. 50 or 83 (1.5 Al)	0.32 kg/m
L-list No. 50 or 83 (1.0 steel)	0.62 kg/m
Z-list No. 51D (1.0 Al)	0.18 kg/m
Mineral wool in plastic	0.52 kg/m <sup>2</sup>

Latest information: [www.lautex.com](http://www.lautex.com)

All products are subject to modifications without prior notice 2018