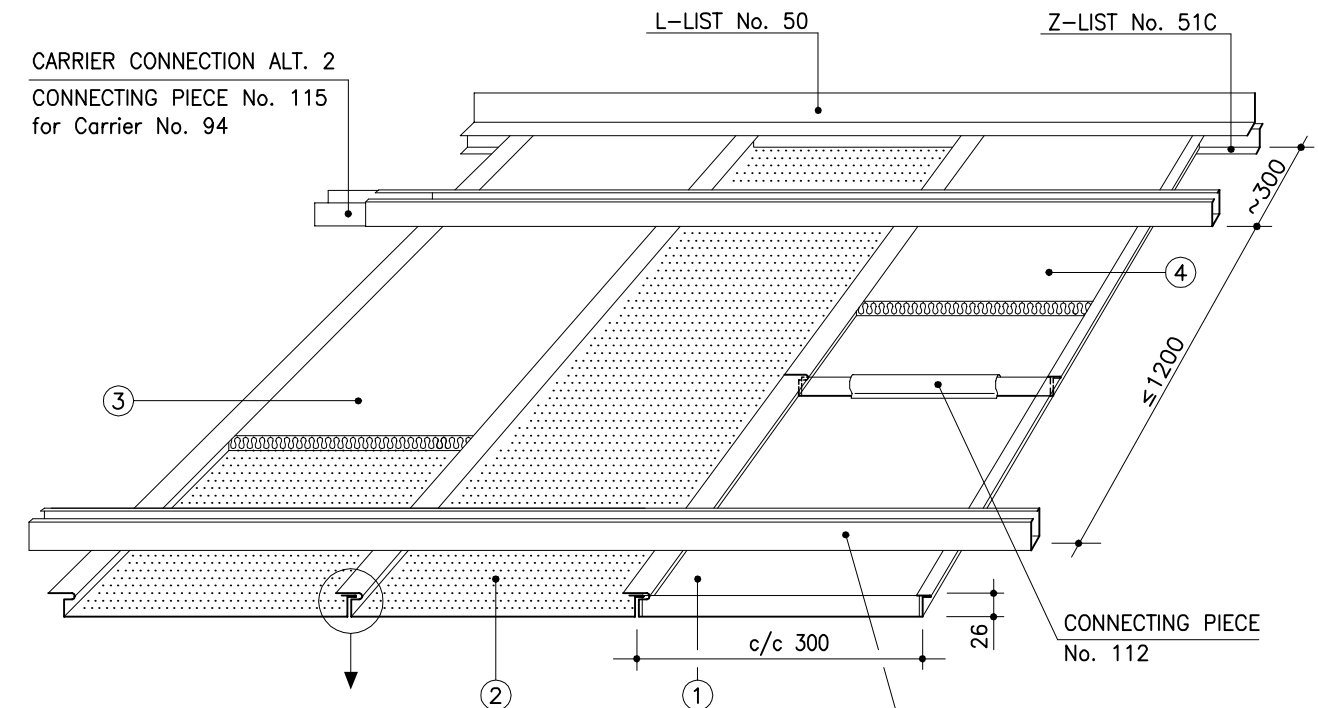
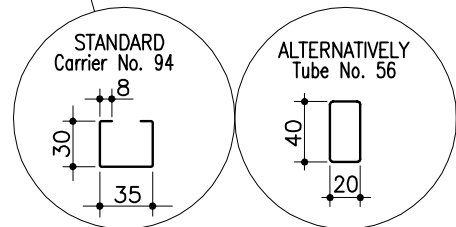
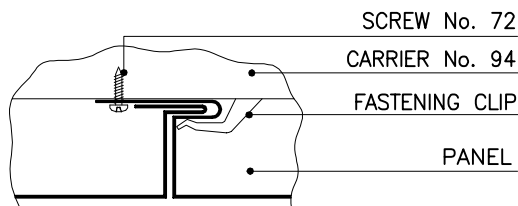
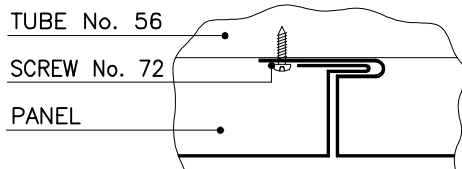


MARINE PANEL LAUTEX NS-300



INSTALLATION WITH TUBE OR CARRIER



- ① = NS; unperforated without acoustic inlay
- ② = NSR; perforated on the bottom
- ③ = NSRT; perforated and mineral wool in plastic
- ④ = NST; unperforated and mineral wool in plastic

NS-300 PANELS / CLASSIFICATION "C"

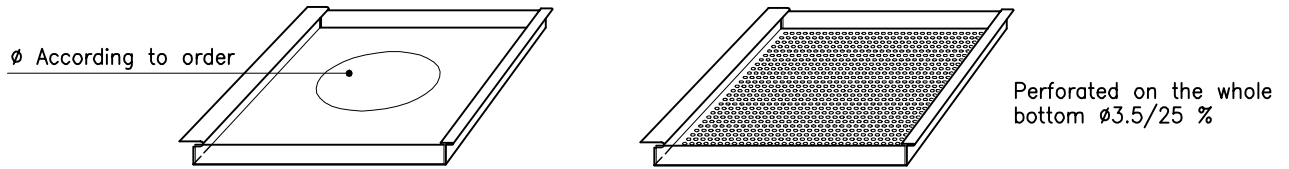
Material	0.6 Steel	0.7 Al
Width	300 mm	
Height	26 mm	
Length	max 4000 mm	
Perforation	please contact our technical information department	
Inlay	mineral wool in plastic	
Finish	stove enamelled (or anodized) according to any well-known colour chart	
Protective film	the surface is provided with a protective film if required	
End bendings	standard for straight cut ends	
Service hatch	see overleaf	
Loudspeaker panel	see overleaf	
Downlight unit	see overleaf	
Connecting piece	No.112, see above and page 28	
Suspension	see "Suspension systems for panels" page 27	
Edge lists	see group 6 "Lautex lists" and page 28 "Lautex marinen panels typical details"	
Other solutions	please contact our technical information department	

Latest information: www.lautex.com

All products are subject to modifications without prior notice 2018

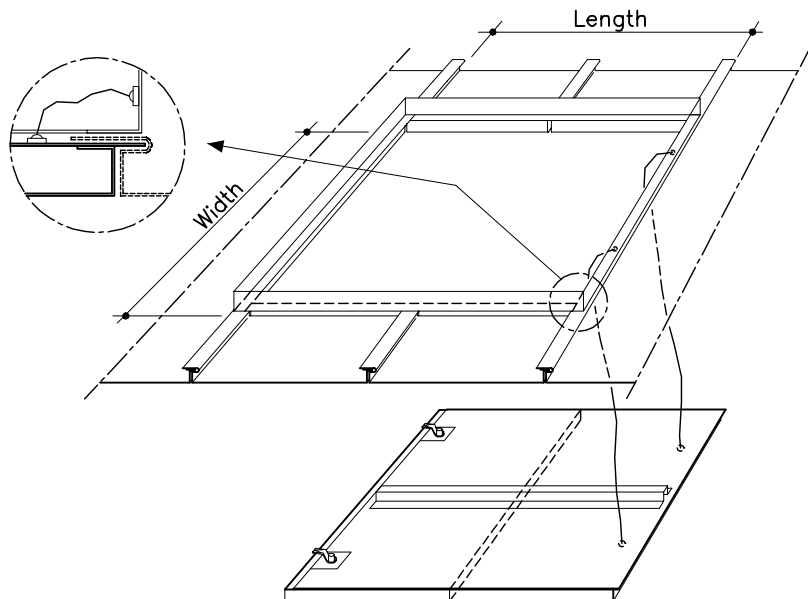
MARINE PANEL LAUTEX NS-300 INSTALLATION ACCESSORIES

LOUDSPEAKER OR DOWNLIGHT PANEL



STANDARD SERVICE HATCHES

LENGTH x WIDTH (opening in the ceiling)
600 x 600



SOLUTIONS OF PANEL EXTENSION AND PANEL CONNECTION TO WALL PLEASE SEE PAGE 28

THEORETICAL NEED OF SUSPENSION STRUCTURES

Product	Need of material
Carrier No. 94	1.2 – 1.6 m/m ²
Tube No. 56	1.2 – 1.6 m/m ²
Carrier lock	1 pcs/carrier meter
L-list No. 50	0.8 – 1.4 m/m ²
Z-list No. 51C	0.8 – 1.4 m/m ²
U-insert list No. 53C+	0.8 – 1.4 m/m ²

WEIGHT OF PANELS KG / M²

	NS-300	
Material	0.7 Al	0.6 Steel
Weight	2.61	6.64

WEIGHT OF OTHER CEILING MATERIALS

Product	Weight of material
Mineral wool in plastic	0.52 kg/m ²
Carrier No. 94	0.83 kg/m
Support tube 40x20	1.37 kg/m
Carrier lock	0.08 kg/pcs
L-list No. 50 or 83 (1.5 Al)	0.32 kg/m
L-list No. 50 or 83 (1.0 steel)	0.62 kg/m
Z-list No. 51C (1.0 Al)	0.16 kg/m
U-insert list No. 53C+ (0.7 Al)	0.12 kg/m

Latest information: www.lautex.com

All products are subject to modifications without prior notice 2018