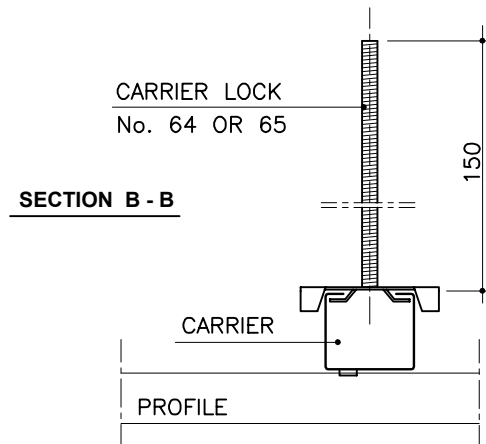
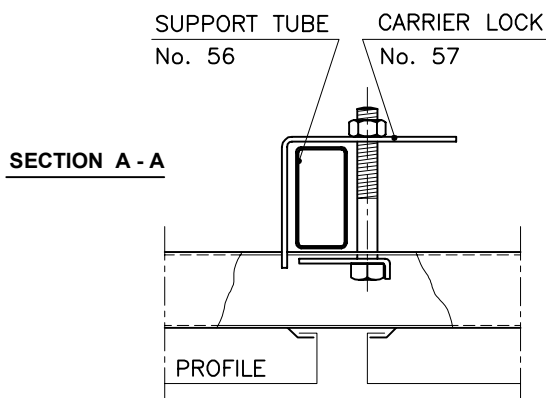
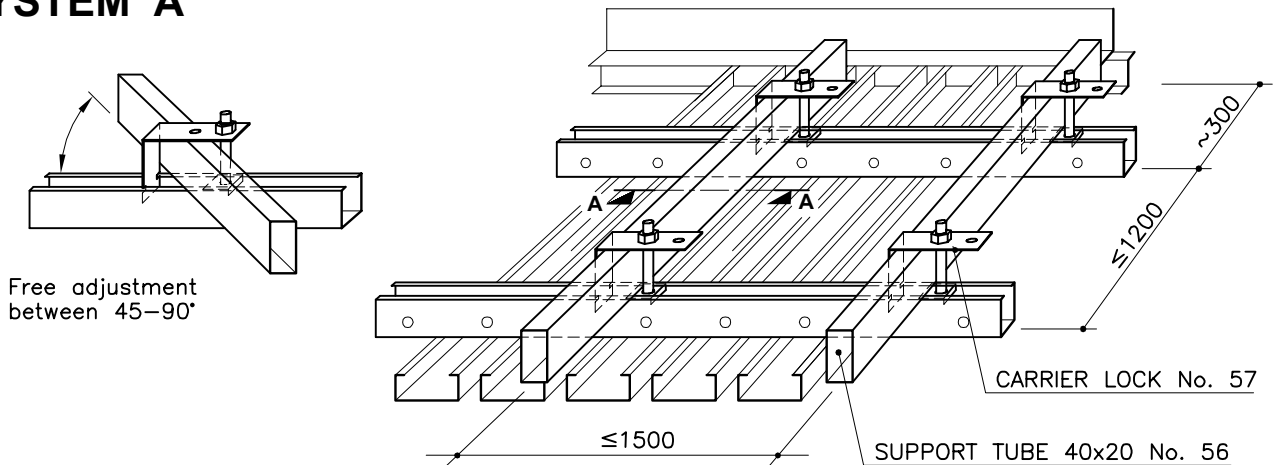
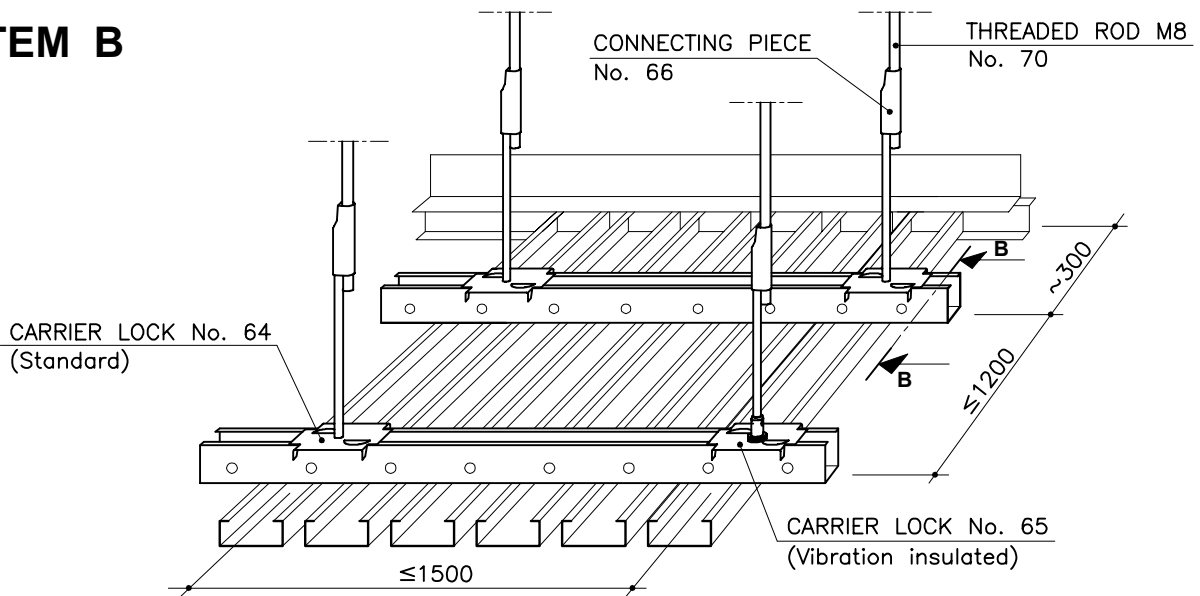


## LAUTEX SUSPENSION SYSTEMS FOR PROFILES

### SYSTEM A



### SYSTEM B



Latest information: [www.lautex.com](http://www.lautex.com)

All products are subject to modifications without prior notice 2018

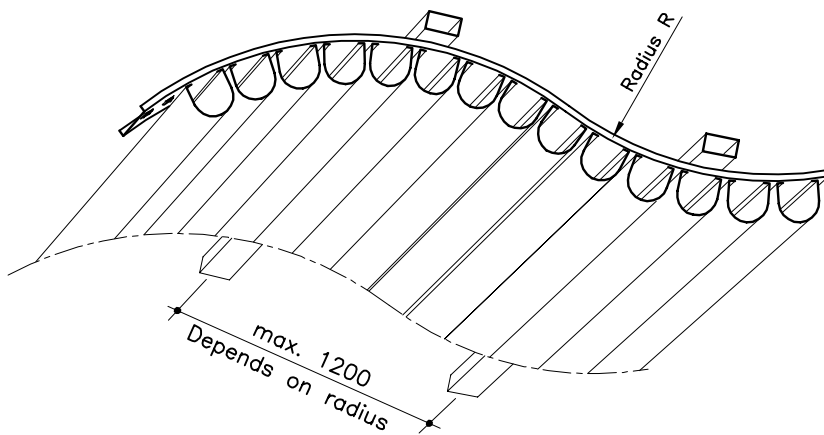
## LAUTEX CURVED CEILINGS AND DIAGONAL INSTALLATION

### CURVED PROFILE CEILINGS

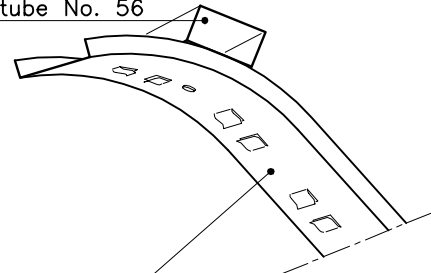
The profile ceilings can be curved using our PR-carrier No. 88A ... X.

The minimum radius depends on profile width and air space.

Ideal for narrow profiles e.g. for PR-P



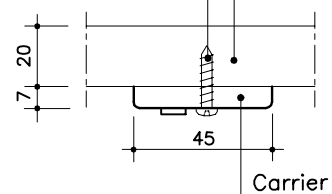
Support tube No. 56



PR-carrier No. 88A...X

Radius R according to order but minimum R=600mm

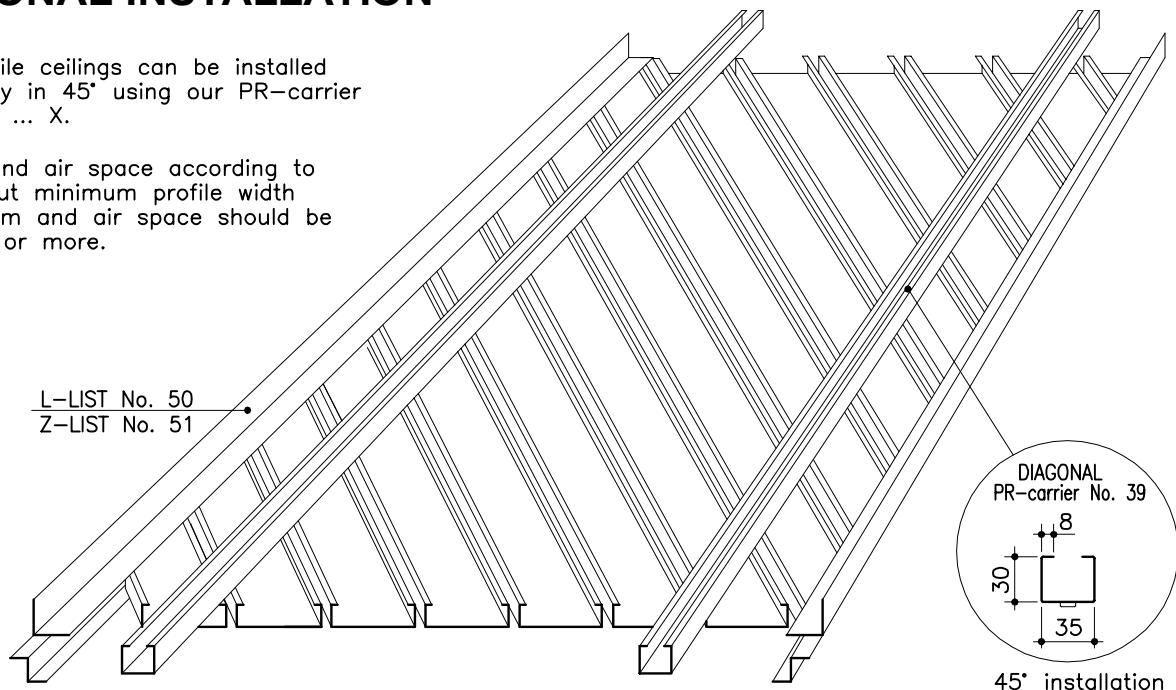
SCREW No. 76 Support tube



### DIAGONAL INSTALLATION

The profile ceilings can be installed diagonally in 45° using our PR-carrier No. 39C ... X.

Profile and air space according to order, but minimum profile width is 50 mm and air space should be 10 mm or more.



L-LIST No. 50  
Z-LIST No. 51

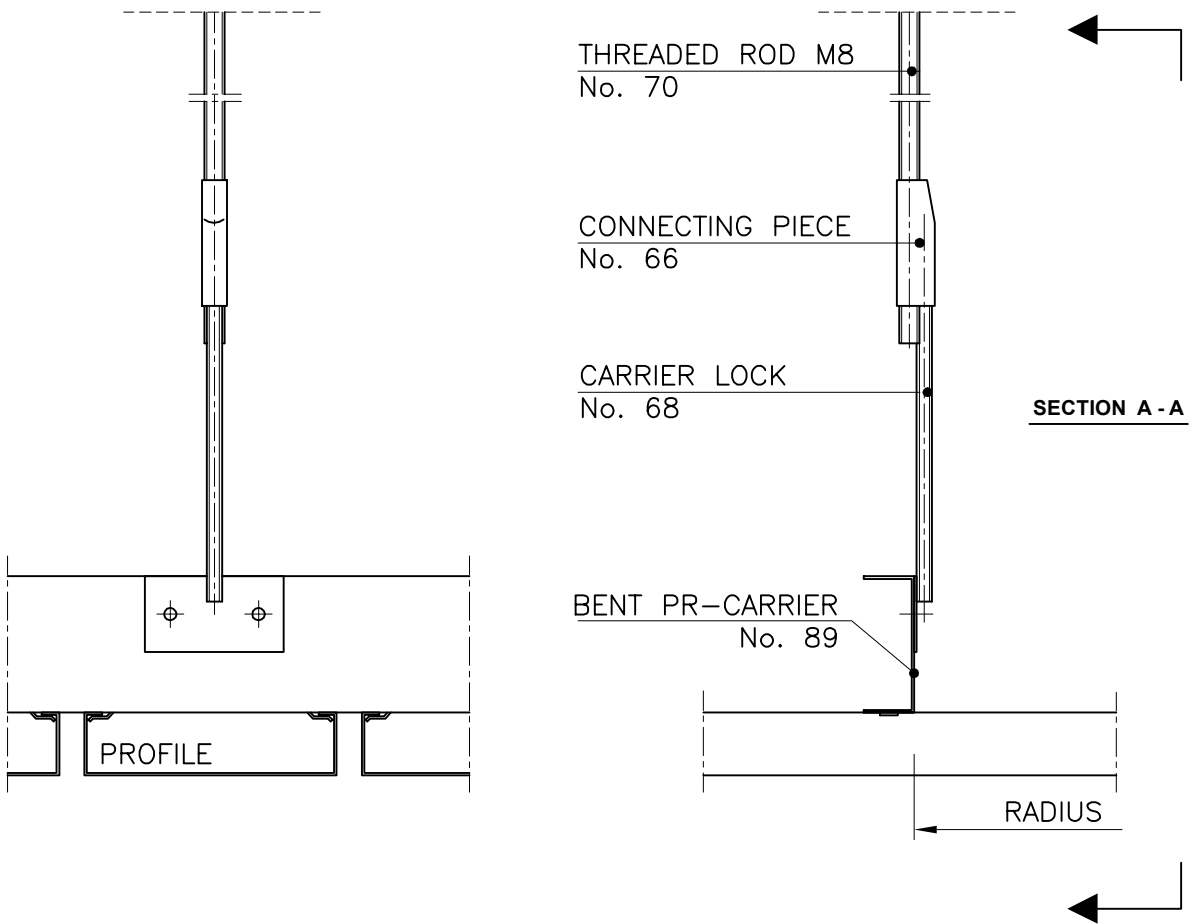
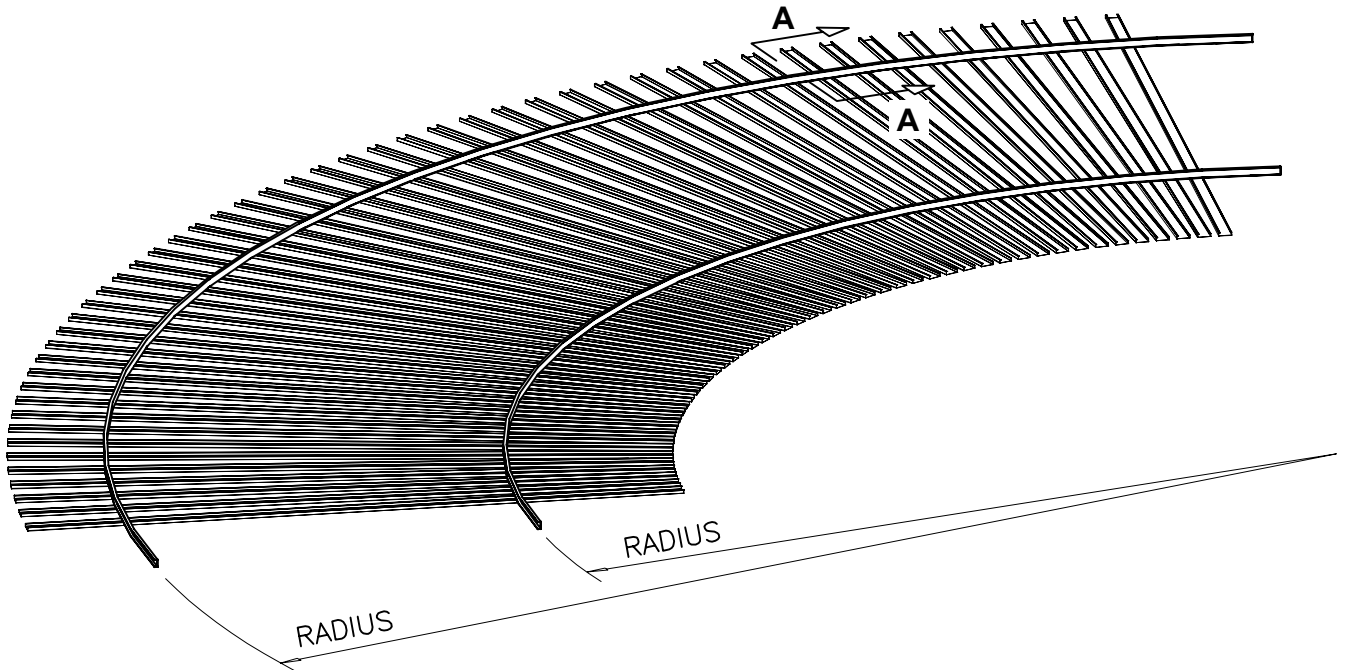
DIAGONAL PR-carrier No. 39

45° installation

Latest information: [www.lautex.com](http://www.lautex.com)

All products are subject to modifications without prior notice 2018

## RADIAL INSTALLATION OF LAUTEX PROFILES



Latest information: [www.lautex.com](http://www.lautex.com)

All products are subject to modifications without prior notice 2018