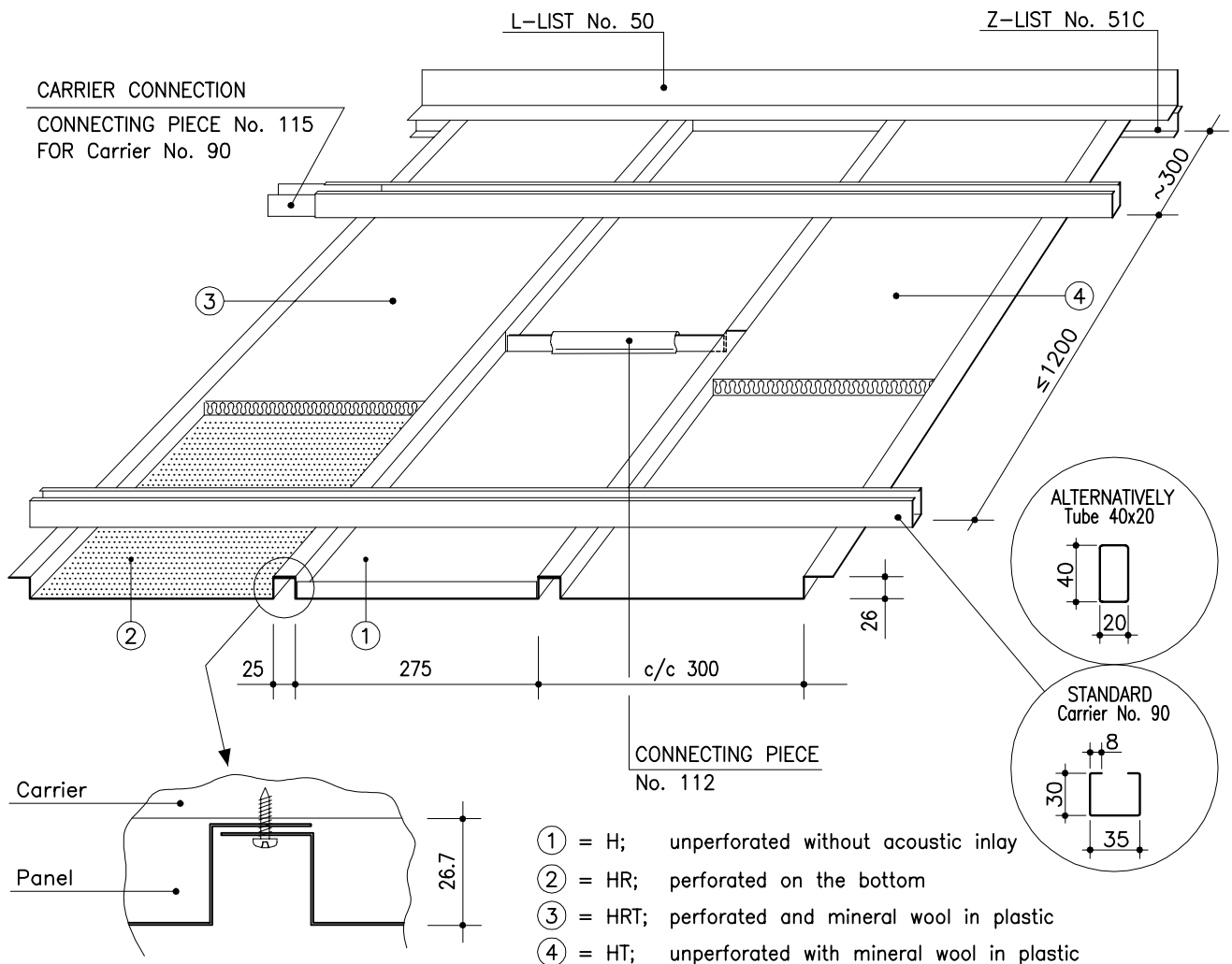


MARINE PANEL LAUTEX H-300



H-300 PANELS / CLASSIFICATION "C"

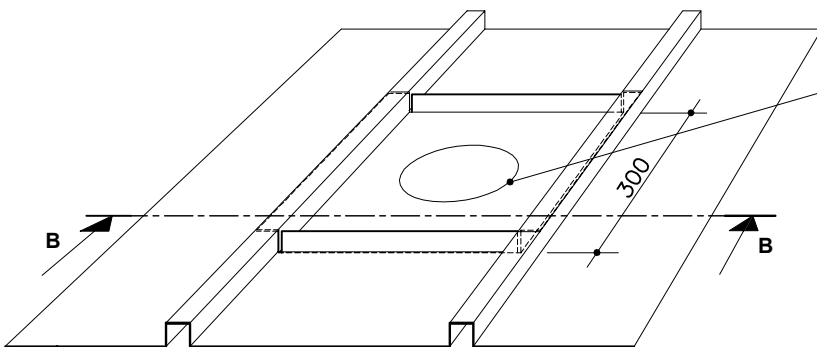
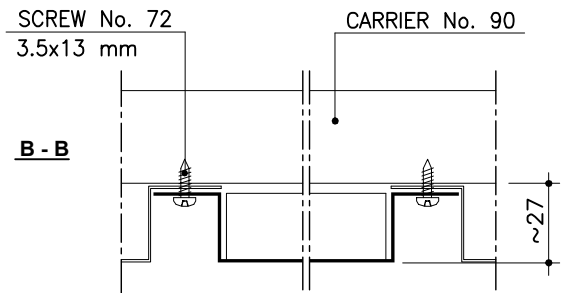
Material	0.7 Al, 0.6 Steel
Width	300 mm
Height	26 mm
Length	max 4000 mm
Perforation	∅ 3.5/25 % other alternatives see group 6 "perforations"
Inlay	mineral wool in plastic
Finish	stove enamelled (or anodized) according to any well-known colour chart
Protective film	the surface is provided with a protective film if required
End bendings	standard for straight cut ends
Special shapes	Width according to order but max 475 mm Conical panels with max width 600 mm
Service hatch	see overleaf
Loudspeaker panel	see overleaf
Downlight unit	see overleaf
Connecting piece	No. 112, see above and page 28
Suspension	see "Suspension systems for panels" page 27
Edge lists	see group 6 "Lautex lists" and page 28 "Lautex marine panels typical details"
Other solutions	please contact our technical information department

Latest information: www.lautex.com

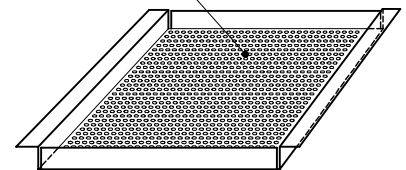
All products are subject to modifications without prior notice 2018

MARINE PANEL LAUTEX H-300 INSTALLATION ACCESSORIES

LOUDSPEAKER OR DOWNLIGHT PANEL

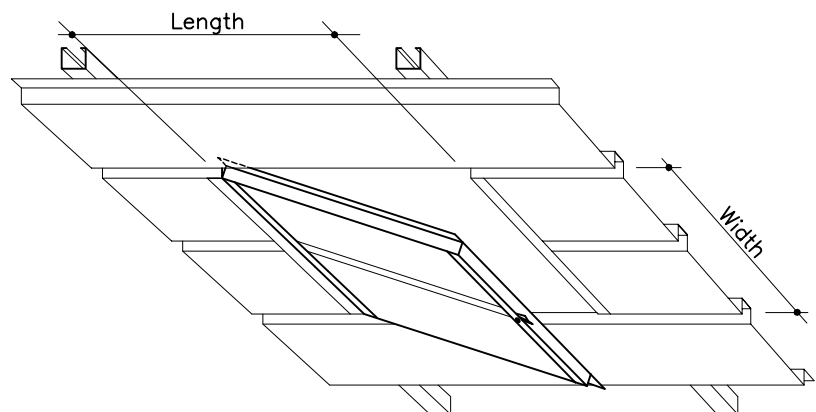


Ø According to order
or perforated on the
whole bottom Ø3.5/25%



STANDARD SERVICE HATCHES

LENGTH x WIDTH (opening in the ceiling)
300 x 300
600 x 600



SOLUTIONS OF PANEL EXTENSION AND PANEL CONNECTION TO WALL PLEASE SEE PAGE 28

THEORETICAL NEED OF SUSPENSION STRUCTURES

Product	Need of material
Carrier No. 90	1.2 – 1.6 m/m ²
Tube No. 56	1.2 – 1.6 m/m ²
Carrier lock	1 pcs/carrier meter
L-list No. 50	0.8 – 1.4 m/m ²
Z-list No. 51C	0.8 – 1.4 m/m ²
U-insert list No. 53C+	0.8 – 1.4 m/m ²

WEIGHT OF PANELS KG / M²

	H-300	
Material	0.7 Al	0.6 Steel
Weight	2.33	5.92

WEIGHT OF OTHER CEILING MATERIALS

Product	Weight of material
Mineral wool in plastic	0.52 kg/m ²
Carrier No. 90	0.83 kg/m
Support tube 40x20	1.37 kg/m
Carrier lock	0.08 kg/pcs
L-list No. 50 or 83 (1.5 Al)	0.32 kg/m
L-list No. 50 or 83 (1.0 Steel)	0.62 kg/m
Z-list No. 51C (1.0 Al)	0.16 kg/m
U-insert list No. 53C+ (0.7 Al)	0.12 kg/m

Latest information: www.lautex.com

All products are subject to modifications without prior notice 2018