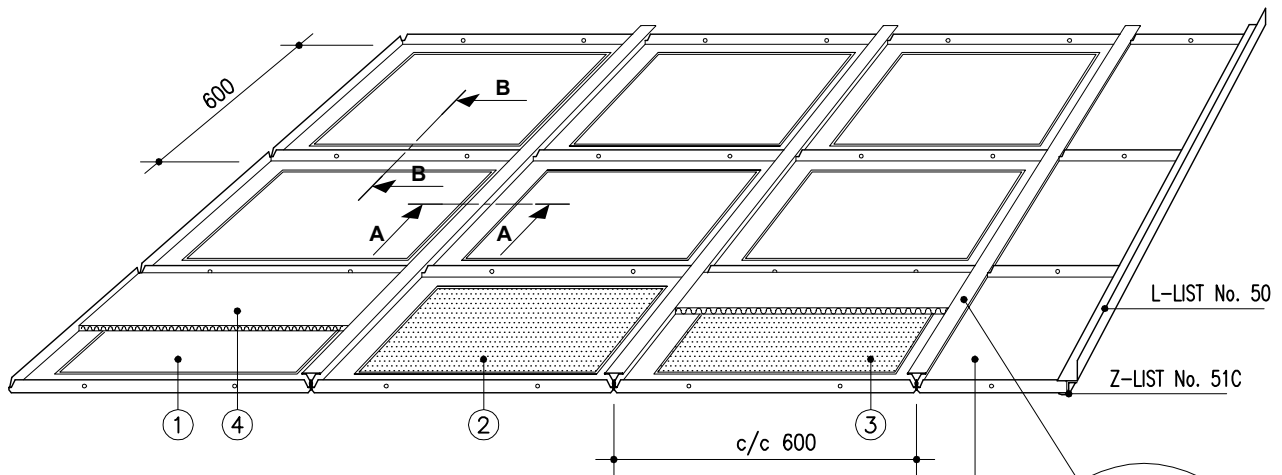
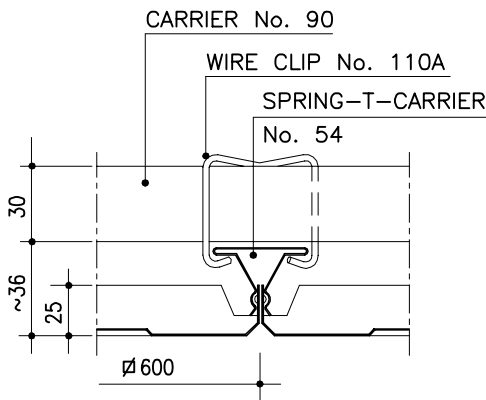


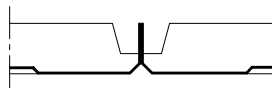
MARINE CASSETTE LAUTEX FJ-600



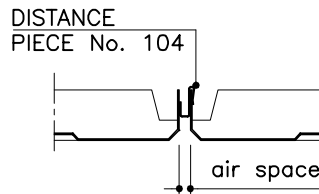
SECTION A - A (ALT. 1)
INSTALLATION WITHOUT AIR SPACE



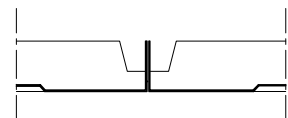
SECTION B - B (ALT. 1)
INSTALLATION WITHOUT AIR SPACE



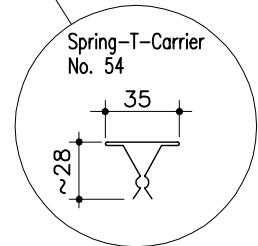
SECTION B - B (ALT. 2)
INSTALLATION WITH AIR SPACE



SECTION B - B (ALT. 3)
CASSETTES WITH SHARP EDGES



Also with sharp edges; must be specified when order



FJ-600 CASSETTES / CLASSIFICATION "C"

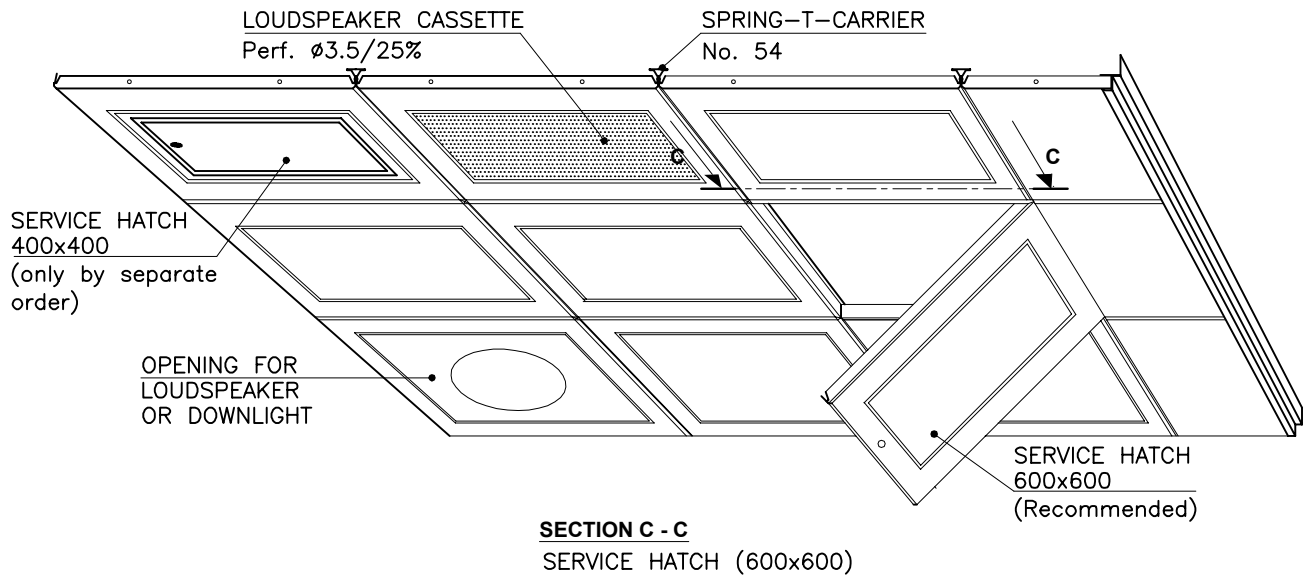
Material	0.7 Al (0.5 Steel)
Module	600x600 mm
Height	25 mm
Perforation	ø2.0/15% or ø3.5/25%, other alternatives, see group 6 "perforations"
Inlay	mineral wool in plastic or acoustic felt
Finish	stove enamelled (or anodized aluminium) according to any well-known colour chart
Ventilation	installation also with air space
Protective film	the surface is provided with a protective film if required
Service hatch	see overleaf
Loudspeaker	perforated cassette with ø3.5/25%
Edge lists	see group 6 "Lautex lists" and page 21 "Lautex marine cassettes typical details"
Downlight unit	see overleaf
Suspensions	see page 18 & 19 "suspensions systems for J-type cassettes"
Other special solutions	please contact our technical information department

- ① = FJ-600; unperforated without acoustic inlay
- ② = FJR-600; perforated without acoustic inlay
- ③ = FJRT-600; perforated, with mineral wool in plastic or acoustic felt
- ④ = FJT-600; unperforated, with mineral wool in plastic
- ⑤ = NJ-600; fitting cassette NJ-600 (0.7 Al)

Latest information: www.lautex.com

All products are subject to modifications without prior notice 2018

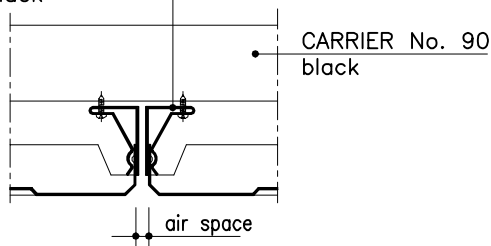
MARINE CASSETTE LAUTEX FJ-600 INSTALLATION ACCESSORIES



SECTION A - A (ALT. 2)

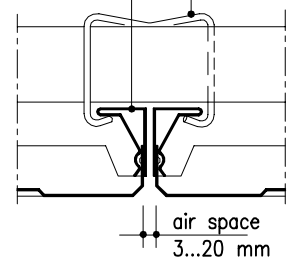
INSTALLATION WITH AIR SPACE
AROUND THE CASSETTES

HALF SPRING-T-CARRIER
No. 95, black



HALF SPRING-T-CARRIER
Pre-assembled No.105
(See "carriers")

WIRE CLIP
No.109A...M, R



CASSETTE CONNECTION TO WALL PLEASE SEE PAGE 21

THEORETICAL NEED OF SUSPENSION STRUCTURES

Product	Need of material
Carrier No. 90	1.6 m/m ²
Carrier locks	4 pcs/m ²
Z-list No. 51C	0.8 - 1.4 m/m ²
L-list No. 50	0.8 - 1.4 m/m ²
Spring-T-carrier No. 54	1.8 m/m ²
Wire clip No. 110	2 pcs/m ²
Screw	4 pcs/m ²

WEIGHT OF CEILING

Cassette	FJ-600	
Material	0.7 Al	0.6 Fe
Weight	2.1 Kg/m ²	5.3 Kg/m

WEIGHT OF OTHER CEILING MATERIALS

Product	Weight of material
Carrier No. 90 (1.0 Steel)	0.83 kg/m
Carrier locks	0.80 g/pcs
Z-list No. 51C (1.0 Al)	0.15 kg/m
L-list No. 50 or 83 (1.5 Al)	0.32 kg/m
L-list No. 50 or 83 (1.0 steel)	0.62 kg/m
Spring-T-carrier (0.5 Steel)	0.44 kg/m
Mineral wool in plastic	0.52 kg/m ²

Latest information: www.lautex.com

All products are subject to modifications without prior notice 2018